



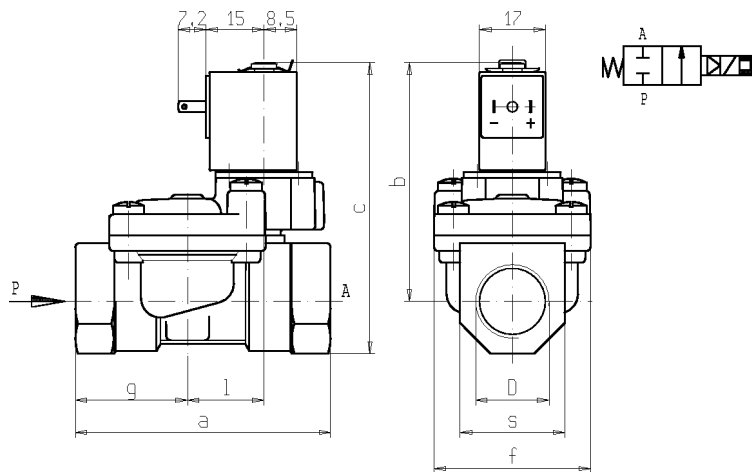
2/2 - SOLENOID VALVE

Series **L180B-Q34** - Coil Z070A - G 3/8 ÷ 1

L180B-Q34

LATCHING MODEL

ISO 9001



| D | a | b | c | f | g | l | s |
|-------|-----|------|------|----|------|------|----|
| G 3/8 | 60 | 57,5 | 70 | 40 | 25,5 | 20 | 22 |
| G 1/2 | 66 | 60 | 74,5 | 40 | 29 | 20 | 27 |
| G 3/4 | 79 | 66 | 83,5 | 50 | 35,5 | 24,5 | 33 |
| G 1 | 105 | 80,5 | 102 | 71 | 46 | 28 | 42 |

FEATURES - Indirect acting diaphragm valve having full orifice. Suitable to shut off liquid and gaseous media compatible with the valve materials. Minimum operating pressure is needed

MOUNTING - In any position, vertical with coil upwards preferred.

VALVE - Brass body. Internal parts in brass and stainless steel. Guide assembly in stainless steel. Seals as per table. Medium temperature from -10°C to +90°C. Max viscosity 5°E (~37cStokes or mm²/s). Opening time from ~300ms to ~1500ms. Closing time from ~1000ms to ~1500ms.

COIL - Magnetic latch type only in DC (direct current). Operating with impulses; minimum energizing time: see table overleaf. Coil in class "A" (+105°C) wound by wires in class "H" (+180°C) vacuum impregnated by polyester resin and encapsulated into glass fibre reinforced PP-VO (self-extinguishing polypropylene).

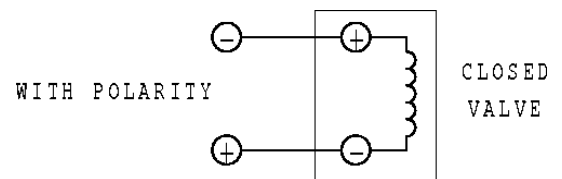
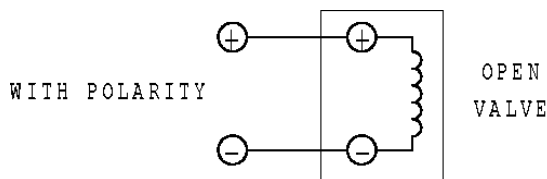
Ambient temperature from -10°C to +60°C.

Standard voltages 6-12 V DC

Voltage tolerance +10% -10%.

Electric plug connection (DIN 46340) or suitable for micro-connectors.

Protection degree IP65 EN 60529 if the coil is duly fitted with its plug micro-connector.

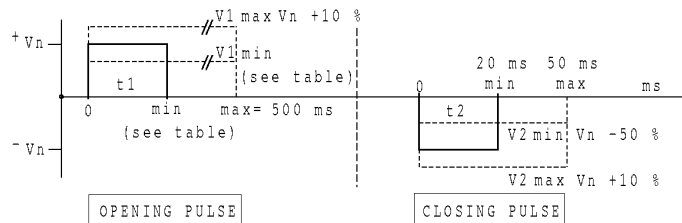


| Port size ISO 228 | Orifice size (mm) | Min P (bar) | Max pressure (bar) | | | | Kv (m ³ /h) | Series and type | | Power absorption | | | Seals | Notes | Weight (kg) |
|-------------------------|-------------------------|-------------------|--------------------|----|---------|----|---------------------------|-----------------|------|------------------|---------|-----------|-------|-------|----------------|
| | | | Gases | | Liquids | | | Valve | Coil | AC (VA) | | DC (W) | | | |
| | | | AC | DC | AC | DC | | | | Inrush | Holding | | | | |
| G3/8 | 11,5 | 0,35 | - | 12 | - | 12 | L180B34 L180Q34 | Z070A | - | - | 3 | NBR | - | 0,340 | |
| G1/2 | 13,5 | | | | | | | | | | | | 1 | 0,380 | |
| G3/4 | 18 | | | | | | | | | | | | - | 0,520 | |
| G1 | 24 | | | | | | | | | | | | - | 1,100 | |

NOTES - Operation with gaseous media, at high pressure without any outlet restriction, can reduce the diaphragm life.
 - Seal: B (NBR) = Nitrile-butylene elastomer. Q (NBR) = Special nitrile-butylene elastomer.
 - Other voltages frequencies on request.
 1 - L180Q34 - WRC approval solenoid valves, certificate N° 9702004.

0012/0106

| MINIMUM CONDITIONS REQUIRED FOR OPENING | | | | | | | | | | | |
|-----------------------------------------|--------------|-------------------------------|---------|--------------------------|---------|--------------------------|---------|--------------------------|---------|---------------------------|---------|
| VALVE | | $\Delta P \text{ } \emptyset$ | | $\Delta P \text{ } 25\%$ | | $\Delta P \text{ } 50\%$ | | $\Delta P \text{ } 75\%$ | | $\Delta P \text{ } 100\%$ | |
| Model | Coil | t1 | V1 | t1 | V1 | t1 | V1 | t1 | V1 | t1 | V1 |
| L180B34 L180Q34 | Z070A 3 W | 16ms | Vn -55% | 16ms | Vn -40% | 20ms | Vn -30% | 20ms | Vn -20% | 20ms | Vn -10% |

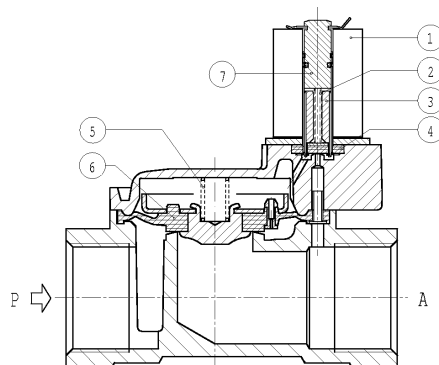


Vn = coil voltage

t1 : t2 = pulse duration (square wave)

SPARE PARTS

Series L180B-Q34



Kit Description

Kit P.N.

Consisting of:

Core kit L180B34
Core kit L180Q34

G2905101
G2905102

Core return spring pos. 2
Core pos. 3
OR guide assembly pos. 4

Core return spring kit

G2786401

N. 10 core return springs pos.2

Spring on diaphragm kit G3/8
G1/2
G 3/4
G 1

G2424101
G2831901
G1844501
G2380201

N. 10 springs on diaphragm pos. 5

OR guide assembly kit L180B34
OR guide assembly kit L180Q34

GU2421000121
GU2436000121

N. 10 OR guide assembly pos. 4
N. 10 OR guide assembly pos. 4

Diaphragm assembly L180B34 G3/8
L180B34 G1/2
L180B34 G3/4
L180B34 G1
Diaphragm assembly L180Q34 G3/8
L180Q34 G1/2
L180Q34 G3/4
L180Q34 G1

2782501
2844302
2299701
2380101
2782507
2844301
2299707
2380104

Diaphragm assembly pos. 6

Diaphragm assembly pos. 6

Guide pipe assembly L180B34
Guide pipe assembly L180Q34

2894201
2894203

Guide pipe assembly pos. 7
Guide pipe assembly pos. 7

Coil Z070A

Coil pos. 1

NB - THE VALIDITY OF REPORTED DATA IS REFERRED TO THE DATE OF ISSUE. POSSIBLE UPDATING ARE AVAILABLE ON REQUEST