



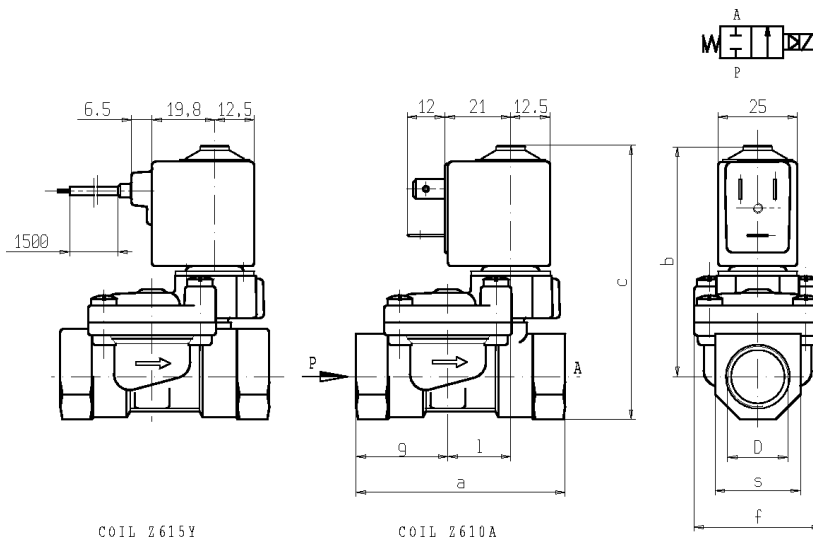
2/2 - SOLENOID VALVE - Normally closed (N.C.)

Series **L180B21** - Coil Z610A - Z615Y - G 3/8 - G 1/2

L180B21

Anti-water hammer

ISO 9001



D	a	b	c	f	g	l	s
G 3/8	60	71	82	40	25,5	20	22
G 1/2	66	73,5	87	40	29	20	27

FEATURES - Indirect acting diaphragm valve having full orifice, produced in different models to shut off liquid and gaseous media compatible with the valve materials. Minimum operating pressure is needed. Designed in compliance with anti-water hammer standards of EN 60723-2-8.

MOUNTING - In any position, vertical with coil upwards preferred.

VALVE - Brass body. Internal parts in brass and stainless steel. Seals as per table. Medium temperature from -10°C to +90°C . Max viscosity 5°E (~37cStokes or mm²/s). Opening time ~300ms. Closing time ~1000ms.

COIL - Rated for continuous duty, in AC (alternate current) or DC (direct current). Coil in class "F" (+155°C) wound by class "H" wires (+180°C) vacuum impregnated by polyester resin and encapsulated into glass fibre reinforced PBT (polybutylene-terephthalate). Ambient temperature from -10°C to +60°C.

Standard voltages 24-110-230V/50-60Hz and 12-24 V DC.

Voltage tolerance +10% -15% AC and +10% -5% DC.

Electric connection: Z610A: plug-in (DIN 46340) or suitable for 3 poles connectors.

Z615Y: wires AWG 20 (n° 3 for AC - n° 2 for DC)

Protection degree IP65 as per EN 60529 if the coil is duly fitted with its plug connector.

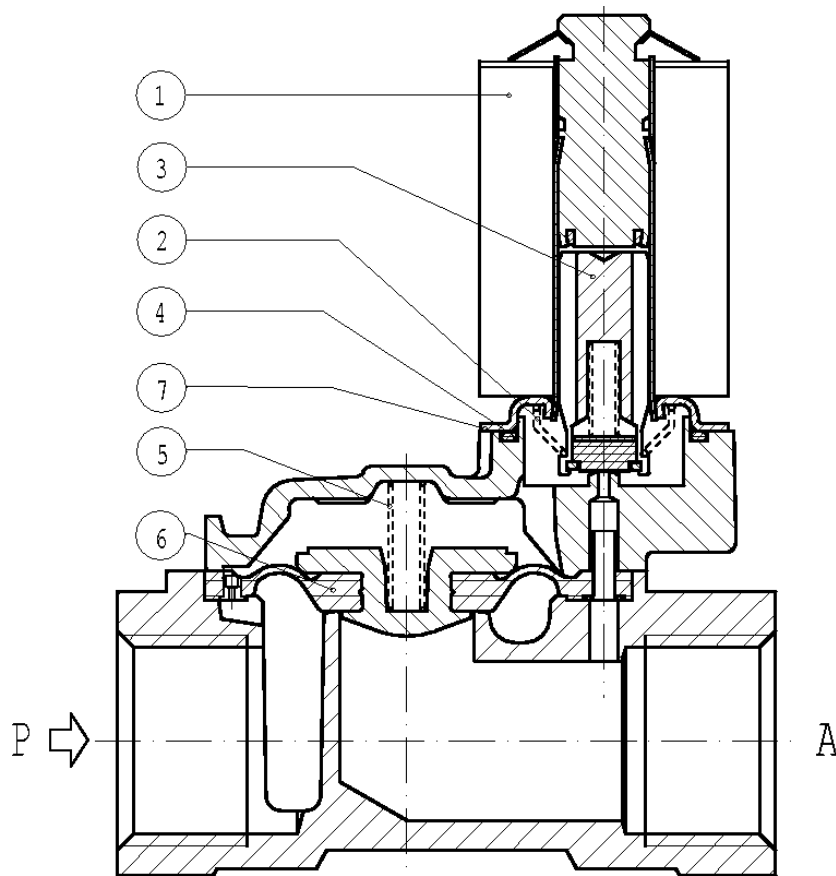
NON STANDARD

Port size ISO 228	Orifice size (mm)	Min P (bar)	Max pressure (bar)				Kv (m ³ /h)	Series and type		Power absorption			Seals	Notes	Weight (kg)
			Gases		Liquids			Valve	Coil	AC (VA)		DC (W)			
			AC	DC	AC	DC				Inrush	Holding				
G 3/8	10,2	0,35	12	12	12	12	1,4	L180B21	Z610A Z615Y	16	10	6	NBR	-	0,370
G 1/2			1,8	0,380											

- NOTES**
- Operation with gaseous media at high pressure without any outlet restriction, can reduce the diaphragm life.
 - Seal: NBR=Nitrile-butylene elastomer
 - Other voltages and frequencies on request.

SPARE PARTS

Séries L180B21



NON STANDARD

Kit description	Kit P.N.	Consisting of :
Core kit	G2937301	Core pos.3 Core return spring pos.2 OR guide assembly pos.4
Core return spring kit	G2927101	N.10 Core return springs pos.2
Spring on diaphragm kit	G2424101	N.10 spring on diaphragm pos.5
OR guide assembly kit	GU2421000017	N.10 OR guide assembly pos.4
Diaphragm kit	2782701	Diaphragm assembly pos.6
Guide pipe assembly	2593201	Guide pipe assembly pos.7
Coil Z610A Z615Y		Coil pos. 1

NB - THE VALIDITY OF REPORTED DATA IS REFERRED TO THE DATE OF ISSUE. POSSIBLE UPDATING ARE AVAILABLE ON REQUEST