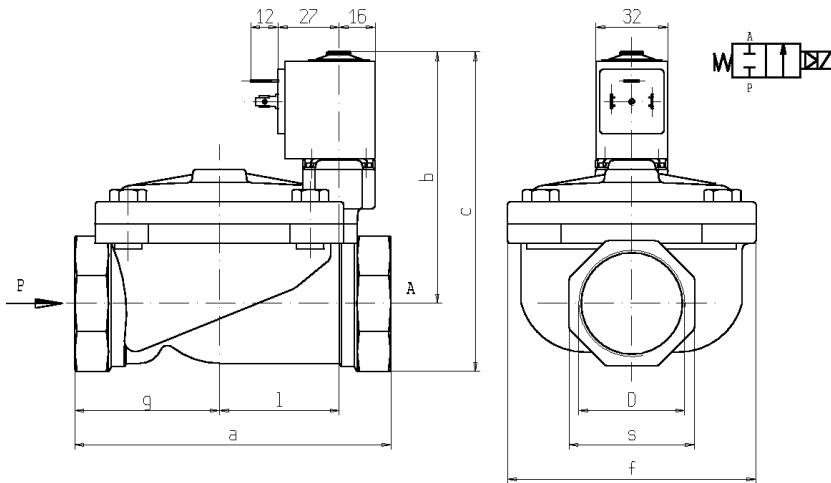




## 2/2 - SOLENOID VALVE - Normally closed (N.C.)

Series **L180B-V40-41** - Coil Z530A - G 1 1/4 ÷ 2

ISO 9001



Without manual override								With Manual override	
D	a	b	c	f	g	l	s	b	c
G 1 1/4	113	109	135	81	50	40	52	132	158
G 1 1/2	140	112	142	110	60	53	60	135	165
G 2	145	117	153	110	66	53	72	140	176

**FEATURES** - Indirect acting diaphragm valve having full orifice, produced in different models to shut off liquid and gaseous media compatible with the valve materials. Minimum operating pressure is needed.

**MOUNTING** - In any position, vertical with coil upwards preferred.

**VALVE** - Brass body. Internal parts in brass and stainless steel. Seals as per table. Medium temperature from -10°C to +90°C (NBR), from 0°C to +130°C (FPM). Max viscosity 5°E (~37cStokes or mm<sup>2</sup>/s). Opening time from ~300ms to ~1500ms. Closing time from ~1000ms to ~2000ms.

**COIL** - Rated for continuous duty, in AC (alternate current) or DC (direct current). Coil in class "F" (+155°C) wound by class "H" wires (+180°C) vacuum impregnated by polyester resin and encapsulated into glass fibre reinforced PBT (polybutylene-terephthalate).

Ambient temperature from -10°C to +60°C.

Standard voltages 24/50Hz-110/50Hz (120/60Hz)-220/50Hz (240/60Hz)-230V/50Hz and 12-24 V DC.

Voltage tolerance +10% -15% AC and +10% -5% DC.

Electric plug connection (DIN 46340) or suitable for 3 poles connectors (DIN 43650).

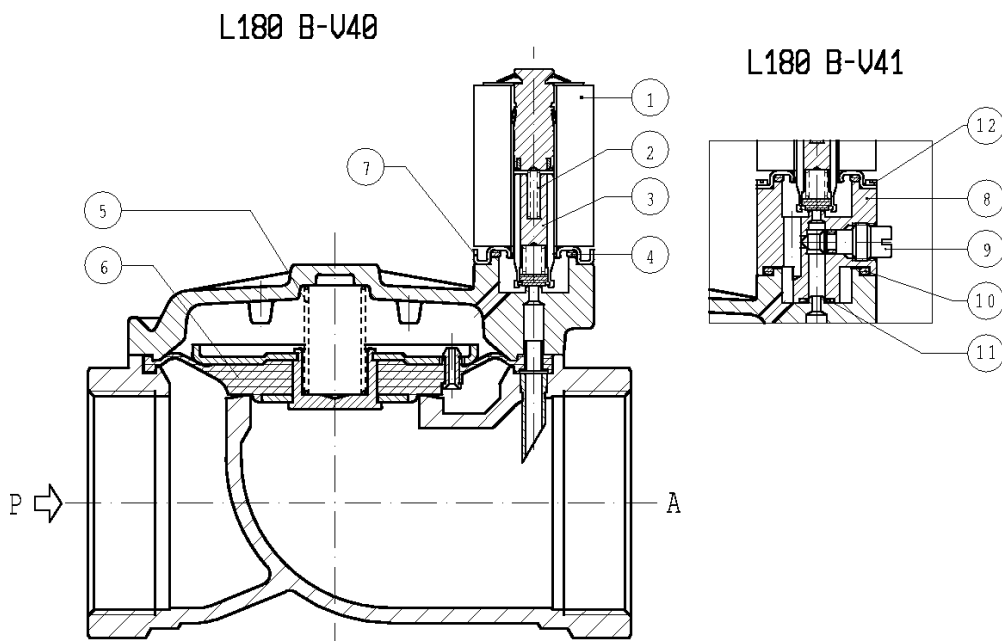
Protection degree IP65 as per EN 60529 if the coil is duly fitted with its plug connector.

Port size ISO 228	Orifice Size (mm)	Min P (bar)	Max pressure (bar)				Kv (m <sup>3</sup> /h)	Series and type			Power absorption			Seals	Notes	Weight (kg)
			Gases		Liquids			Valve	Valve with manual override	Coil	AC (VA)		DC (W)			
			AC	DC	AC	DC					Inrush	Holding				
G 1 1/4	30	0,50	10	10	10	10	L180B40	L180B41	Z530A	23	14	9	NBR	-	1,670	
G 1 1/2	45														2,600	
G2	45														2,870	
G 1 1/4	30						L180V40	L180V41							FPM	1,670
G 1 1/2	45															2,600
G2	45															2,870

- NOTES**
- Operation with gaseous media at high pressure without any outlet restriction, can reduce the diaphragm life.
  - Seal: NBR = Nitrile-butylene elastomer FPM = Fluoro-carbon elastomer.
  - Other voltages and frequencies on request.
  - L180B41-V41 weight increased by 0,135 Kg

# SPARE PARTS

## Series L180B-V40-41



### Kit Description

### Kit P.N.

### Consisting of:

Core kit L180B40-B41 L180V40-V41	G2954801 G2954802	Core pos. 3 Core return spring pos. 2 OR guide assembly pos. 4
Core return spring kit L180B40-41-V40-41 Spring on diaphragm kit G1 1/4 G1 1/2 -G 2	G2495401 G2401101 G2401501	N° 10 core return spring pos. 2 N° 10 spring on diaphragm pos. 5
OR guide assembly kit L180B40-B41 L180V40-V41	GU2421000053 GU2424000053	N. 10 OR guide assembly pos. 4
Diaphragm kit 1 1/4 B40-B41 1 1/2-2 B40-B41 1 1/4 V40-V41 1 1/2-2 V40-V41	2400801 2401301 2400802 2401302	Diaphragm assembly pos. 6
Body group with manual override L180B41 Body group with manual override L180V41	G2954901 G2954902	Body pos. 8 Pin group pos. 9 Intermediate OR pos. 10 Lower OR pos. 11 N. 4 fixing screws pos. 12
Guide pipe assembly	2604401	Guide pipe assembly pos. 7
Coil Z530A		Coil pos. 1

NB - THE VALIDITY OF REPORTED DATA IS REFERRED TO THE DATE OF ISSUE. POSSIBLE UPDATING ARE AVAILABLE ON REQUEST