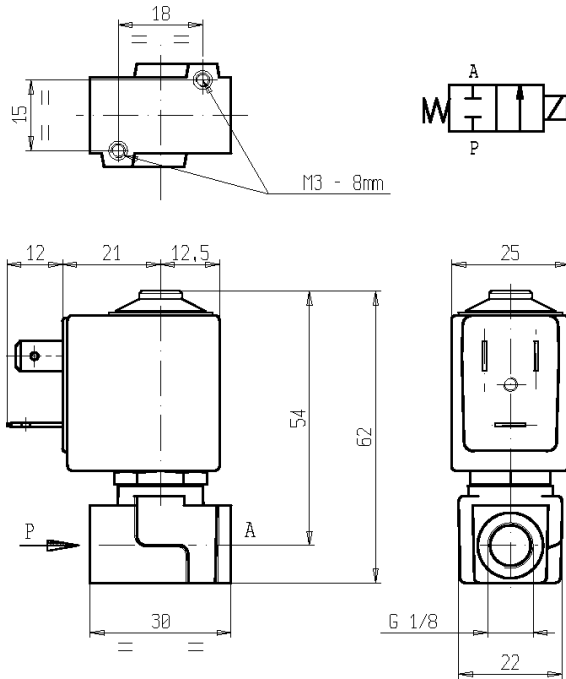




**2/2 - SOLENOID VALVE - Normally closed (N.C.)**  
**Series L179 - Coil Z614A - G 1/8**

ISO 9001



**FEATURES** - Direct acting solenoid valve. Designed to shut off overheated water, steam and other liquid and gaseous media compatible with the valve materials.

**MOUNTING** - In any position, vertical with coil upwards preferred.

**VALVE** - Brass body . Internal parts and seat in stainless steel. Seals as per table. Medium temperature from -10°C to +170°C (Ruby), from +60°C to +170°C (PTFE) . Viscosity max 5°E (~37cStokes or mm²/s). Opening time from ~10ms to ~20ms. Closing time from ~10ms to ~20ms.

**COIL** - Rated for continuous duty in AC (alternate current) or DC (direct current). Coil in class "H" (+180°C) vacuum impregnated by polyester resin and encapsulated into glass fibre reinforced PPS ( polyphenylene-sulfide).

Ambient temperature from -10°C to +80°C

Standard voltages 24/50Hz-110/50Hz (120/60Hz)-220/50Hz (240/60Hz)-230V/50Hz and 12-24 V DC

Voltage tolerance +10% -15%. AC and +10% -5%

Electric plug connection (DIN 46340) or suitable for 3 poles connectors .

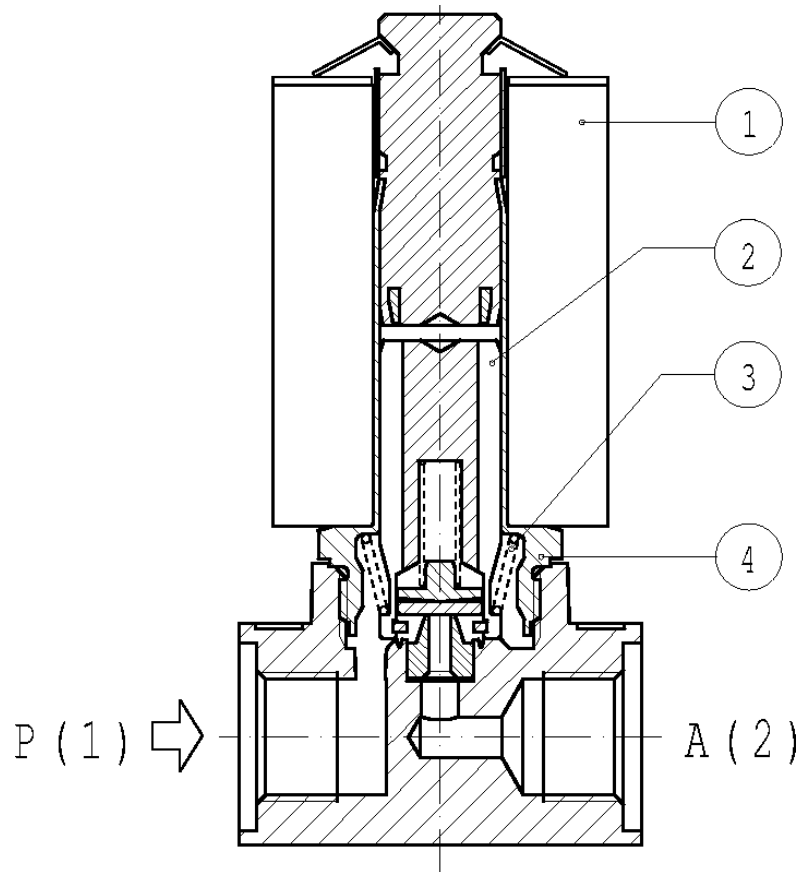
Protection degree IP65 as per EN 60529 if the coil is duly fitted with its plug connector.

Port size ISO 228	Orifice size (mm)	Max pressure (bar)				Kv (m³/h)	Series and type		Power absorption			Seals	Notes	Weight (kg)
		Gases		Liquids			Valve	Coil	AC (VA)		DC (W)			
		AC	DC	AC	DC				Inrush	Holding				
G 1/8	1,6	16	6	15	5,5	0,09	L179C1	Z614A	16	10	6	RUBY	1	0,160
	2,3	14	4	13	3,5	0,15								
	1,6	30	20	30	20	0,09	L179R3					PTFE Reinforced	-	
	2,3	13	6	12	5	0,15								

- NOTES**
- Seal: RUBY = Synthetic corundum. PTFE = Reinforced polytetrafluorethylene
  - On request coil Z610A PBT (Polybutylene-terephthalate) class "F" (+155°C), maximum ambient temperature +60°C.
  - Other voltages and frequencies on request.
  - 1 - The use of rigid sealings with gaseous fluids implies a slight leakage, generally limited with in 2 scc/min. at 1 bar pressure.

# SPARE PARTS

## Series L179



### Kit Description

### Kit P.N.

### Consisting of:

Core kit L179C1  
Core kit L179R3

G2878701  
G2955601

Core pos. 2  
Core pos. 2

Core spring kit

G2884401

N. 10 Core return springs pos. 3

Guide pipe assembly

2870901

Guide pipe assembly pos. 4

Coil Z614A

Coil pos. 1

NB - THE VALIDITY OF REPORTED DATA IS REFERRED TO THE DATE OF ISSUE. POSSIBLE UPDATING ARE AVAILABLE ON REQUEST