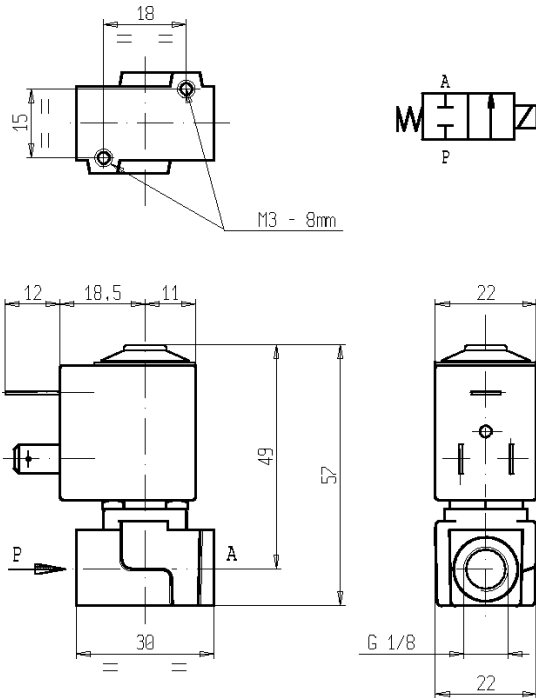




**2/2 - SOLENOID VALVE - Normally closed (N.C.)**  
**Series L178 - Coil Z830A - G 1/8**

ISO 9001



**FEATURES** - Direct acting solenoid valve. Available in different models to shut off liquid and gaseous media compatible with the valve materials. Suitable also for mounting on manifold, (see the technical sheet K23255).

**MOUNTING** - In any position, vertical with coil upwards preferred.

**VALVE** - Brass body. Internal parts in stainless steel. Brass guide pipe with hexagonal screwed bonnet. Seals as per table. Medium temperature from -10°C to +90°C (NBR), from 0°C to +130°C (FPM), from -10°C to +140°C (EPDM). Viscosity max 5°E (~37cStokes or mm<sup>2</sup>/s). Opening time ~15ms. Closing time ~15ms.

**COIL** - Rated for continuous duty in AC (alternate current) or DC (direct current). Coil in class "F" (+155°C) wound by class "H" wires (+180°C) vacuum impregnated by polyester resin and encapsulated into glass fibre reinforced PBT (polybutylene-terephthalate).

Ambient temperature from -10°C to +60°C

Standard voltages 24/50Hz-110/50Hz (120/60Hz)-220/50Hz (240/60Hz)-230V/50Hz and 12-24 V DC

Voltage tolerance +10% -15% AC and +10% -5% DC.

Electric plug connection (DIN 46340) or suitable for 3 poles connectors.

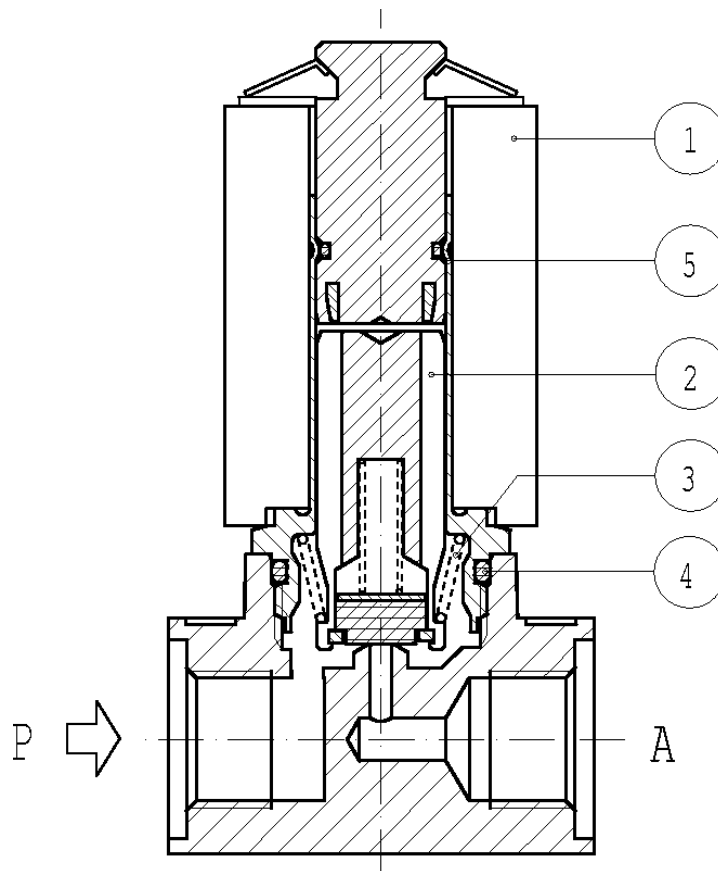
Protection degree IP65 as per EN 60529 if the coil is duly fitted with its plug connector.

Port size ISO 228	Orifice size (mm)	Max pressure (bar)				Kv (m <sup>3</sup> /h)	Series and type		Power absorption			Seals	Notes	Weight (kg)
		Gases		Liquids			Valve	Coil	AC (VA)		DC (W)			
		AC	DC	AC	DC				Inrush	Holding				
G 1/8	2	15	6	15	6	0,115	L178B1	Z830A	10	7	6	NBR	-	0,145
							L178D1					EPDM	1	
							L178V1					FPM	-	

- NOTES** - Seal: NBR = Nitrile-butylene elastomer FPM = Fluoro-carbon elastomer  
 EPDM = Ethylene-propylene elastomer  
 - Other voltages and frequencies on request.  
 - The valve fitted with 50Hz coil can be operated at 60Hz but the max pressure is 10 bar.  
 1 - EPDM seal on request.

# SPARE PARTS

## Series L178



Kit Description	Kit P.N.	Consisting of:
Core kit L178B1	G2878604	Core pos. 2 OR guide assembly pos. 4
Core kit L178D1	G2878605	Core pos. 2 OR guide assembly pos. 4
Core kit L178V1	G2878606	Core pos. 2 OR guide assembly pos. 4
Core spring kit L178-B-V-D-1	G2884401	N. 10 Core return springs pos. 3
Guide pipe assembly L178-B-V-D-1	2885601	Guide pipe assembly pos. 5
Coil Z830A		Coil pos. 1

NB - THE VALIDITY OF REPORTED DATA IS REFERRED TO THE DATE OF ISSUE. POSSIBLE UPDATING ARE AVAILABLE ON REQUEST