

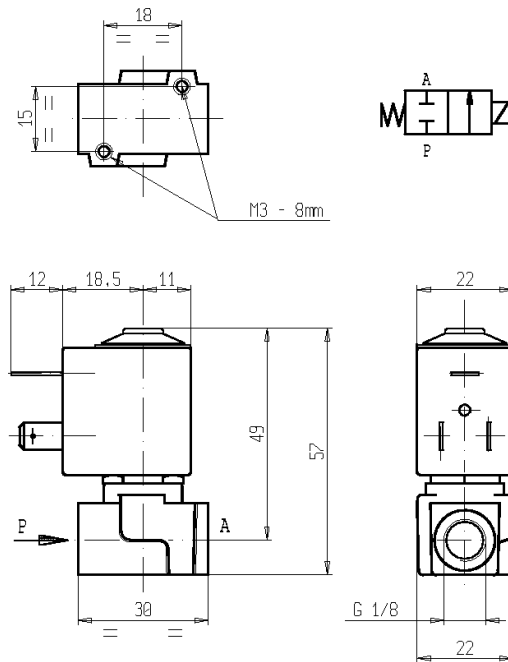


L178B3-B5-B6

2/2 - SOLENOID VALVE - Normally closed (N.C.)

Series L178B3-B5-B6 - Coil Z830A - Z830B - G 1/8

ISO 9001



NON STANDARD

FEATURES - Direct acting solenoid valve size. Suitable to shut off liquid and gaseous media compatible with the valve materials. Suitable also for mounting on manifold, (see the technical sheet K23255).

MOUNTING - In any position, vertical with coil upwards preferred.

VALVE - Brass body. Internal parts in stainless steel. Brass guide pipe with hexagonal screwed bonnet. Seals as per table. Medium temperature from -10°C to +90°C. Viscosity max 5°E (~37cStokes or mm²/s). Opening time ~15ms. Closing time ~15ms.

COIL - Rated for continuous duty in AC (alternate current) or DC (direct current). Coil in class "F" (+155°C) wound by class "H" wires (+180°C) vacuum impregnated by polyester resin and encapsulated into glass fibre reinforced PBT (polybutylene-terephthalate).

Ambient temperature from -10°C to +60°C

Standard voltages 24V/50Hz-110V/50Hz(120V/60Hz)-230V/50Hz and 12-24V DC.

Voltage tolerance +10% - 15% AC and +10% -5% DC.

Electric plug connection (DIN 46340) or suitable for 3 poles connectors.

Protection degree IP65 as per EN 60529 if the coil is duly fitted with its plug connector.

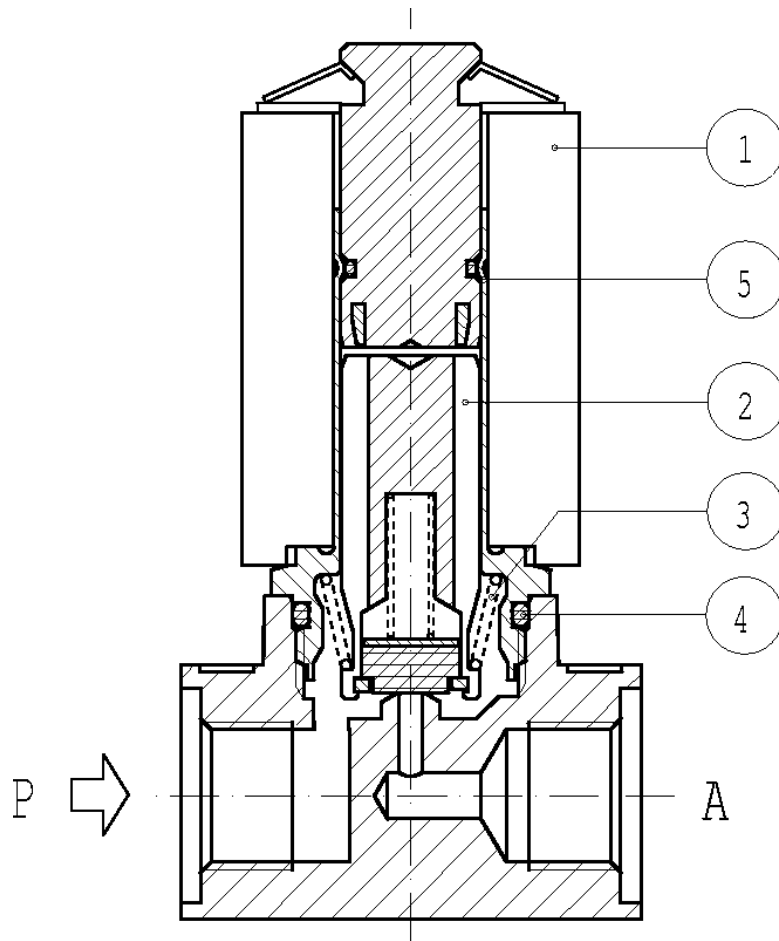
Port size ISO 228	Orifice size (mm)	Max pressure (bar)				Kv (m³/h)	Series and type		Power absorption			Seals	Notes	Weight (kg)
		Gases		Liquids			Valve	Coil	AC (VA)		DC (W)			
		AC	DC	AC	DC				Inrush	Holding				
G1/8	1,6	-	3,5	-	3,5	0,09	L178B3	Z830B	-	-	1,5	NBR	-	0,145
	2	15	10	15	10	0,115	L178B5	Z830A	10	7	6		1	
		2	-	2	-		L178B6	Z830B	3,5	2	-		-	

NOTES

- Seal: NBR = Nitrile-butylene elastomer
- Other voltages and frequencies on request
- 1 - The valve fitted with 50Hz coil can be operated at 60Hz but the max pressure is 10 bar.

SPARE PARTS

Series L178B3-B5-B6



NON STANDARD

Kit description	Kit P.N.	Consisting of :
Core kit	B3 G2947901 B5 G2878604 B6 G2878607	Core pos. 2 OR guide group pos. 4
Core return spring kit	B3 G3031301 B5 G2884401 B6 G3048301	N. 10 Core return springs pos. 3
Guide pipe assembly	B3-B5-B6 2885601	Guide pipe assembly pos. 5
Coil	Z830A B5 Z830B B3-B6	Coil pos. 1

NB - THE VALIDITY OF REPORTED DATA IS REFERRED TO THE DATE OF ISSUE. POSSIBLE UPDATING ARE AVAILABLE ON REQUEST