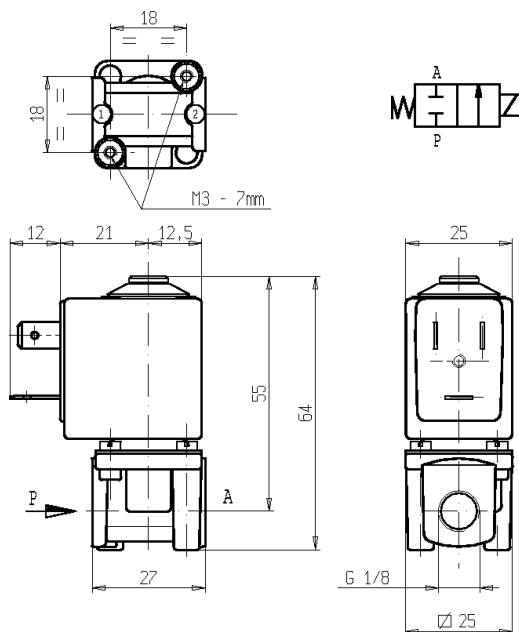




2/2 - SOLENOID VALVE - Normally closed (N.C.)

Series L177 - Coil Z610A - G 1/8

ISO 9001



**FEATURES** - Direct acting solenoid valve. Suitable to shut off liquid and gaseous media compatible with the valve materials.

**MOUNTING** - In any position, vertical with coil upwards preferred.

**VALVE** - Brass body. Internal parts in stainless steel. Seals as per table. Medium temperature from -10°C to +90°C (NBR), from 0°C to +130°C (FPM), from -10°C to +140°C (EPDM). Viscosity max 5°E (~37cStokes or mm<sup>2</sup>/s). Opening time from ~10ms to ~20ms. Closing time from ~10ms to ~20ms.

**COIL** - Rated for continuous duty in AC (alternate current) or DC (direct current). Coil in class "F" (+155°C) wound by class "H" wires (+180°C) vacuum impregnated by polyester resin and encapsulated into glass fibre reinforced PBT (polybutylene terephthalate).

Ambient temperature from -10°C to +60°C

Standard voltages 24-110-220-230V/50-60Hz and 12-24V DC.

Voltage tolerance +10% -15% AC and +10% -5% DC.

Electric plug connection (DIN 46340) or suitable for 3 poles connectors.

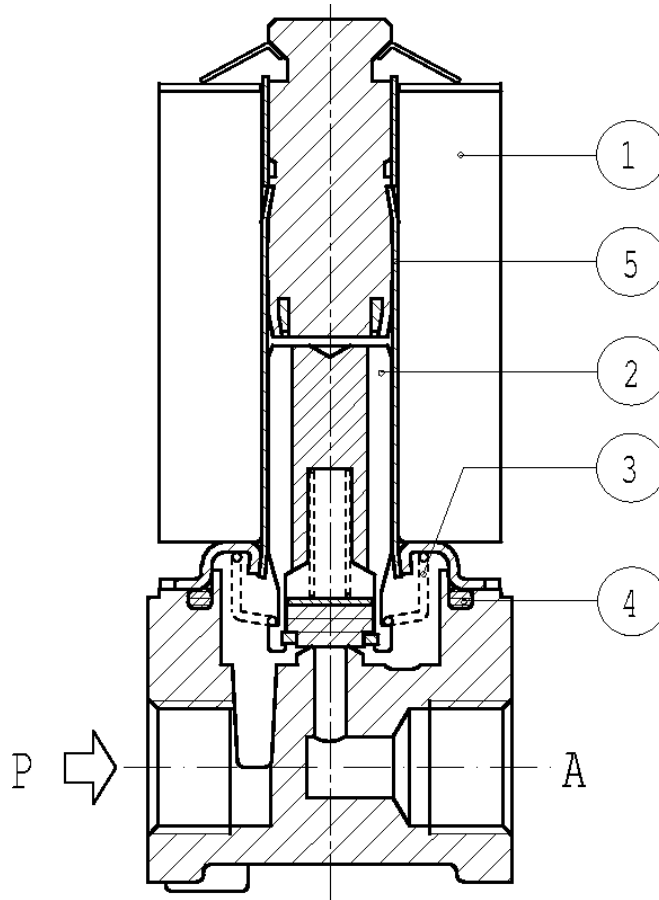
Protection degree IP65 as per EN 60529 if the coil is duly fitted with its plug connector.

Port size ISO 228	Orifice size (mm)	Max pressure (bar)				Kv (m <sup>3</sup> /h)	Series and type		Power absorption			Seals	Notes	Weight (kg)
		Gases		Liquids			Valve	Coil	AC (VA)		DC (W)			
		AC	DC	AC	DC				Inrush	Holding				
G 1/8	1,6	30	20	30	20	0,09	L177B04	Z610A	16	10	6	NBR	-	0,170
							L177D04					EPDM	1	
							L177V04					FPM	-	
	2,3	13	6	12	5	0,14	L177B04		NBR	-				
							L177D04		EPDM	1				
							L177V04		FPM	-				
	3,2	7	1,4	6	1,2	0,25	L177B04		NBR	-				
							L177D04		EPDM	1				
							L177V04		FPM	-				

**NOTES** - Seal: NBR = Nitrile-butylene elastomer FPM = Fluoro-carbon elastomer  
 EPDM = Ethylene-propylene elastomer  
 - Other voltages and frequencies on request.  
 1 - EPDM seal on request.

# SPARE PARTS

## Series L177



Kit Description	Kit P.N.	Consisting of:
Core kit L177B04	G2937301	Core pos. 2 OR guide assembly pos. 4
Core kit L177D04	G2937302	Core pos. 2 OR guide assembly pos. 4
Core kit L177V04	G2937303	Core pos. 2 OR guide assembly pos. 4
Core spring kit	G2927101	N. 10 Core return springs pos. 3
Guide pipe assembly	2593201	Guide pipe assembly pos. 5
Coil Z610A		Coil pos. 1

NB - THE VALIDITY OF REPORTED DATA IS REFERRED TO THE DATE OF ISSUE. POSSIBLE UPDATING ARE AVAILABLE ON REQUEST