

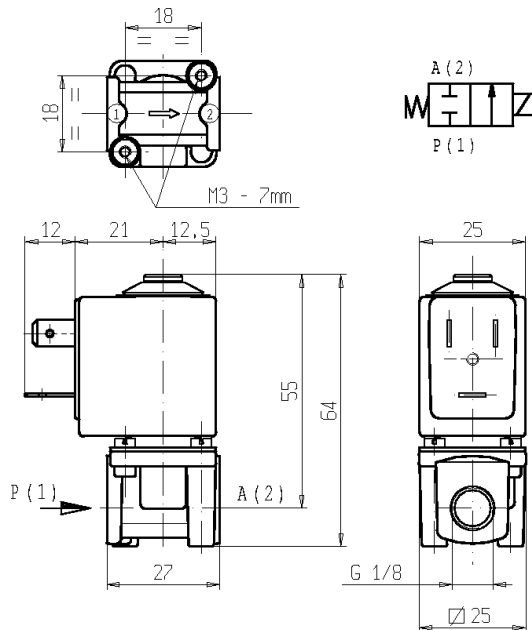


L177B04-V07-V08

2/2 - SOLENOID VALVE - Normally closed (N.C.)

Series L177B04-V07-V08 - Coil Z610A - Z614A - G 1/8

ISO 9001



NON STANDARD

FEATURES - Direct acting solenoid valve. Suitable to shut off liquid and gaseous media compatible with the valve materials.

MOUNTING - In any position, vertical with coil upwards preferred.

VALVE- Brass body. Internal parts in stainless steel. Seals as per table. Medium temperature from -10°C to +90°C (NBR), from 0°C to +130°C (FPM). Viscosity max 5°E (~37cStokes or mm²/s). Opening time from ~10ms to ~20ms. Closing time from ~10ms to ~20ms.

COIL - Rated for continuous duty in AC (alternate current) or DC (direct current). Z610A: coil in class "F" (+155°C) wound by class "H" wires (+180°C) vacuum impregnated by polyester resin encapsulated into glass fibre reinforced PBT (polybutylene-terephthalate). Z614A: coil in class "H" (+180°C) vacuum impregnated by polyester resin and encapsulated into glass fibre reinforced PPS (Polyphenylene-sulfide).

Ambient temperature from -10°C to +60°C (Z610A), +80°C (Z614A).

Standard voltages Z610A : Alternate current (AC) 24-110-220-230/50-60Hz. - Direct current (DC) 12-24 V .

Z614A : Alternate current (AC) 24-110 (120/60Hz) - 220 (240/60Hz) - 230V/50Hz. - Direct current (DC) 24 V

Voltage tolerance +10% -15% AC and +10% -5% DC.

Electric plug connection (DIN 46340) or suitable for 3 poles connectors.

Protection degree IP65 as per EN 60529 if the coil is duly fitted with its plug connector

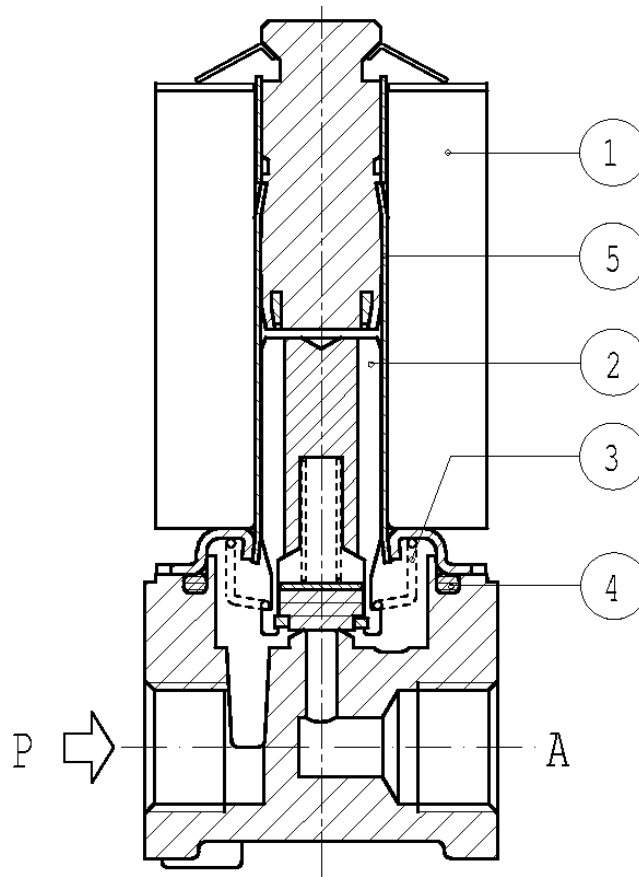
Port size ISO 228	Orifice size (mm)	Max pressure (bar)				Kv (m ³ /h)	Series and type		Power absorption			Seals	Notes	Weight (kg)
		Gases		Liquids			Valve	Coil	AC (VA)		DC (W)			
		AC	DC	AC	DC				Inrush	Holding				
G 1/8	3,5	4,5	1	4	0,8	0,3	L177B04	Z610A	16	10	6	NBR	-	0,170
	3,2	-	5	-	5	0,25	L177V07							
		5	1	5	1	0,25	L177V08	Z614A				FPM		

NOTES

- Seal: NBR=Nitrile-butylene elastomer FPM=Fluoro-carbon elastomer
- Other voltages and frequencies on request.
- 1 - Suitable for operation with vacuum at port A (-1 bar relative pressure)
- 2 - Suitable for 2,6 bar back-pressure against the seal.

SPARE PARTS

Séries L177B04-V07-V08



NON STANDARD

Kit description	Kit P.N.	Consisting of :
Core kit L177B04 L177V07 L177V08	G2937301 G3014901 G3010401	Core pos. 2 OR guide assembly pos.4
Core spring kit L177B04 L177V07 L177V08	G2927101 G3003301 G3010101	N. 10 Core return springs pos. 3
Guide pipe assembly	2593201	Guide pipe assembly pos. 5
Coil Z610A Z614A		Coil pos. 1

NB - THE VALIDITY OF REPORTED DATA IS REFERRED TO THE DATE OF ISSUE. POSSIBLE UPDATING ARE AVAILABLE ON REQUEST