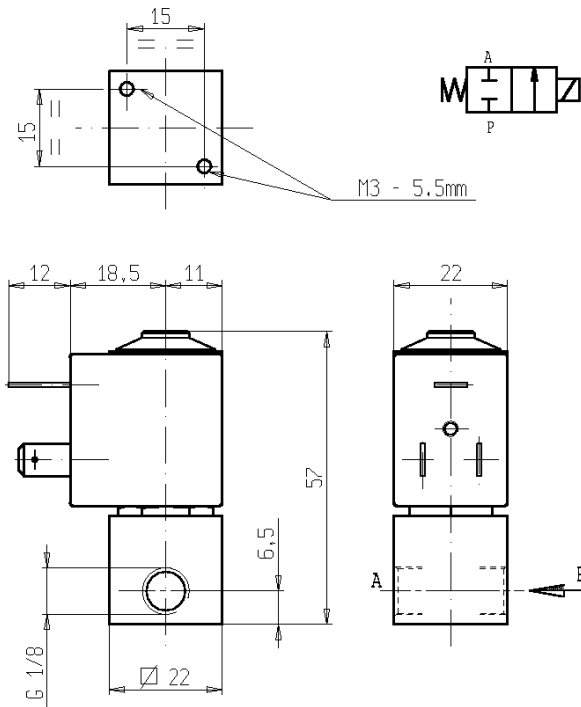




**L168B01**

**2/2 - SOLENOID VALVE - Normally closed (N.C.)**  
**Series L168B01 - Coil Z830B - G 1/8**

**ISO 9001**



**NON STANDARD**

**FEATURES** - Direct acting solenoid valve. Suitable to shut off liquid and gaseous media compatible with the valve materials.

**MOUNTING** - In any position, vertical with coil upwards preferred.

**VALVE** – Body in anodized aluminium alloy, black colour. Internal parts in stainless steel. Brass guide pipe with hexagonal screw bonnet. Seals as per table. Medium temperature from -10°C to +90°C. Viscosity max 5°E (~37cStokes or mm<sup>2</sup>/s). Opening time ~15ms. Closing time ~15ms.

**COIL** - Rated for continuous duty in AC (alternate current). Coil in class “F” (+155°C) wound by class “H” wires (+180°C) vacuum impregnated by polyester resin and encapsulated into glass fibre reinforced PBT (polybutylene-terephthalate).

Ambient temperature from -10°C to +60°C

Standard voltages 24V/50Hz - 110V/50Hz (120V/60Hz) - 230V/50Hz.

Voltage tolerance +10% -15%.

Electric plug connection (DIN 46340) or suitable for 3 poles connectors.

Protection degree IP65 as per EN 60529 if the coil is duly fitted with its plug connector.

Port size ISO 228	Orifice size (mm)	Max pressure (bar)				Kv (m <sup>3</sup> /h)	Series and type		Power absorption				Seals	Notes	Weight (kg)
		Gases		Liquids			Valve	Coil	AC			DC (W)			
		AC	DC	AC	DC				Inrush	Holding					
							VA	VA	W						
G 1/8	1,2	7	-	7	-	0,04	L168B01	Z830B	3,7	2	1,5	-	NBR	-	0,170

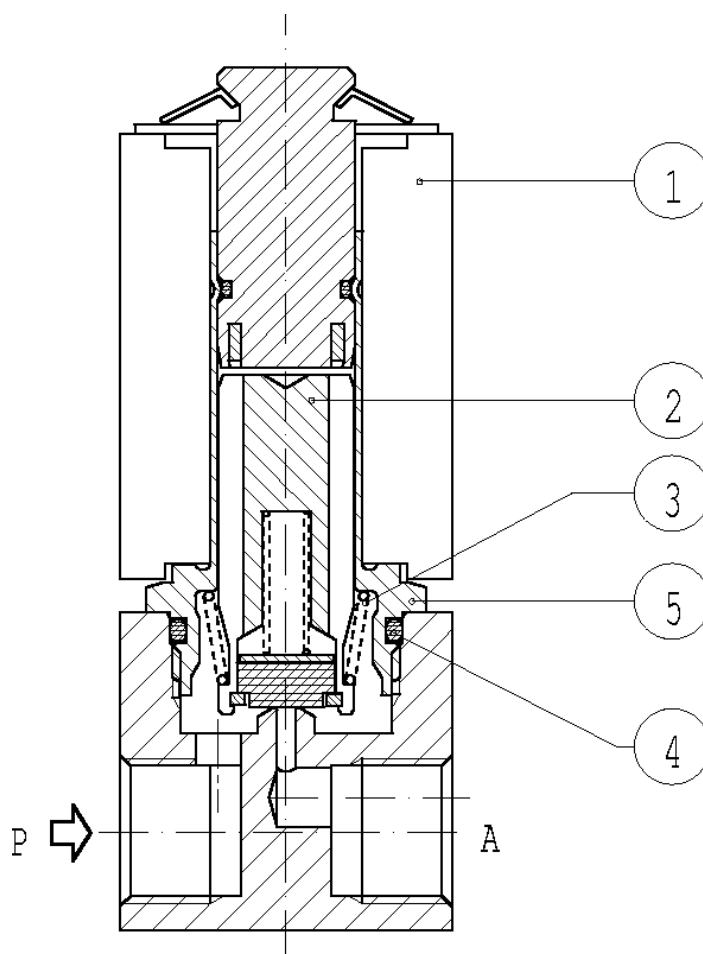
**NOTES**

- Seal: NBR = Nitrile-butylene elastomer
- Other voltages and frequencies on request.

0201/0203

## SPARE PARTS

### Séries L168B01



NON STANDARD

Kit description	Kit P.N.	Consisting of :
Core kit	G3057201	Core pos. 2 Core return spring pos. 3 OR for guide assembly pos. 4
Core return spring kit	G3057101	N. 10 Core return springs pos. 3
OR for guide assembly kit	GU2421000147	N° 10 OR for guide assembly pos. 4
Guide pipe assembly	2885601	Guide pipe assembly pos. 5
Coil Z830B		Coil pos. 1

NB - THE VALIDITY OF REPORTED DATA IS REFERRED TO THE DATE OF ISSUE. POSSIBLE UPDATING ARE AVAILABLE ON REQUEST