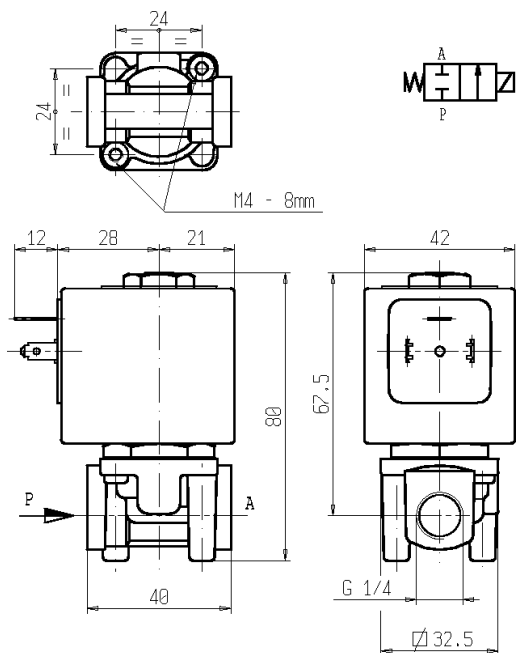




2/2 - SOLENOID VALVE - Normally closed (N.C.)

Series **L159** - Coil Z114A - G 1/4

ISO 9001



FEATURES - Direct acting solenoid valve. Suitable to shut off overheated water, steam and other liquid and gaseous media compatible with the valve materials.

MOUNTING - In any position, vertical with coil upwards preferred.

VALVE - Brass body, with seat in stainless steel. Internal parts in stainless steel. Seals as per table. Medium temperature from +10°C to +170°C. Viscosity max 5°E (~37cStokes or mm²/s). Opening time ~30ms. Closing time ~30ms.

COIL - Rated for continuous duty in AC (alternate current) or DC (direct current). Coil in class "H" (+180°C) vacuum impregnated by polyester varnishes and encapsulated into glass fibre reinforced PPS (Polyphenylene-sulfide).

Ambient temperature from -10°C to +80°C

Standard voltages 24/50Hz-110/50Hz (120/60Hz)-220/50Hz (240/60Hz)-230V/50Hz and 12-24 V DC.

Voltage tolerance +10% -15% AC and +10% -5% DC.

Electric plug connection (DIN 46340) or suitable for 3 poles connectors (DIN 43650).

Protection degree IP65 as per EN 60529 if the coil is duly fitted with its plug connector.

Port size ISO 228	Orifice size (mm)	Max pressure (bar)				Kv (m ³ /h)	Series and type		Power absorption			Seals	Notes	Weight (kg)
		Gases		Liquids			Valve	Coil	AC (VA)		DC (W)			
		AC	DC	AC	DC				Inrush	Holding				
G 1/4	3	30	17	30	17	0,25	L159C3	Z114A	44	24	13	RUBY	1-2-3	0,500
	4,5	10	3,5	9	3	0,45								
	5,5	6	2	5,5	1,8	0,60								

NOTES - Seal: RUBY = Synthetic corundum.

- Other voltages and frequencies on request

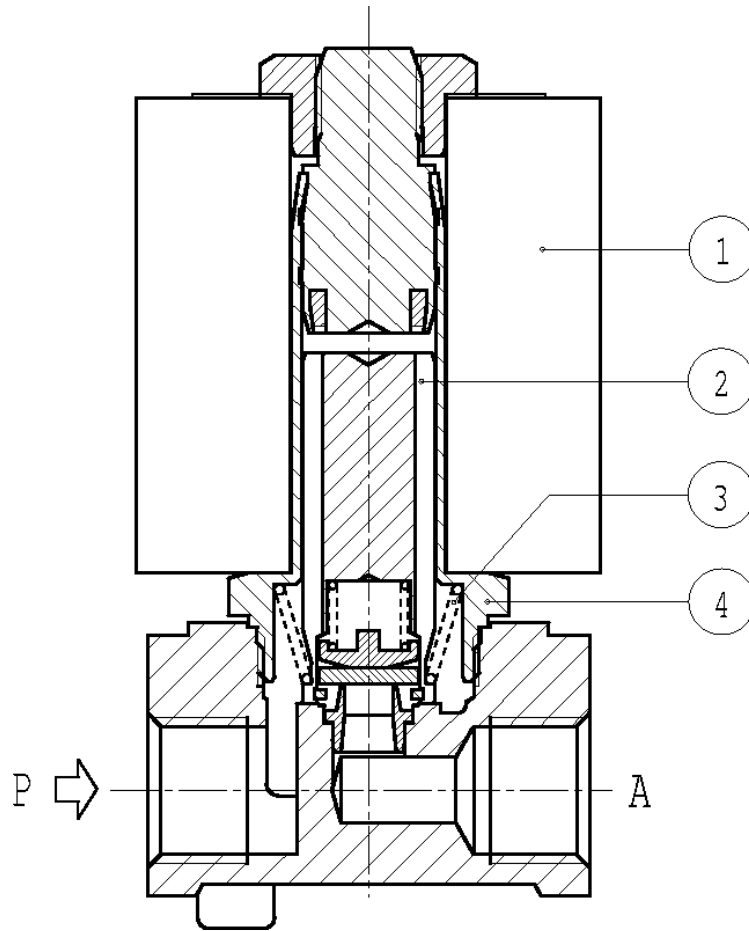
1 - For steam (+170°C) Pmax = 7 bar

2 - On request coil type Z110A (Polybutylene-terephthalate) class "F" (+155°C), maximum ambient temperature +60°C.

3 - The use of rigid sealings with gaseous fluids implies a slight leakage, generally limited within 2 scc/min. at 1 bar pressure.

SPARE PARTS

Series L159



Kit Description

Core kit
Core spring kit
Guide pipe assembly
Coil Z114A

Kit P.N.

G2877401
G2866801
2865701

Consisting of:

Core pos. 2
N. 10 Core return springs pos. 3
Guide pipe assembly pos. 4
Coil pos. 1

NB - THE VALIDITY OF REPORTED DATA IS REFERRED TO THE DATE OF ISSUE. POSSIBLE UPDATING ARE AVAILABLE ON REQUEST