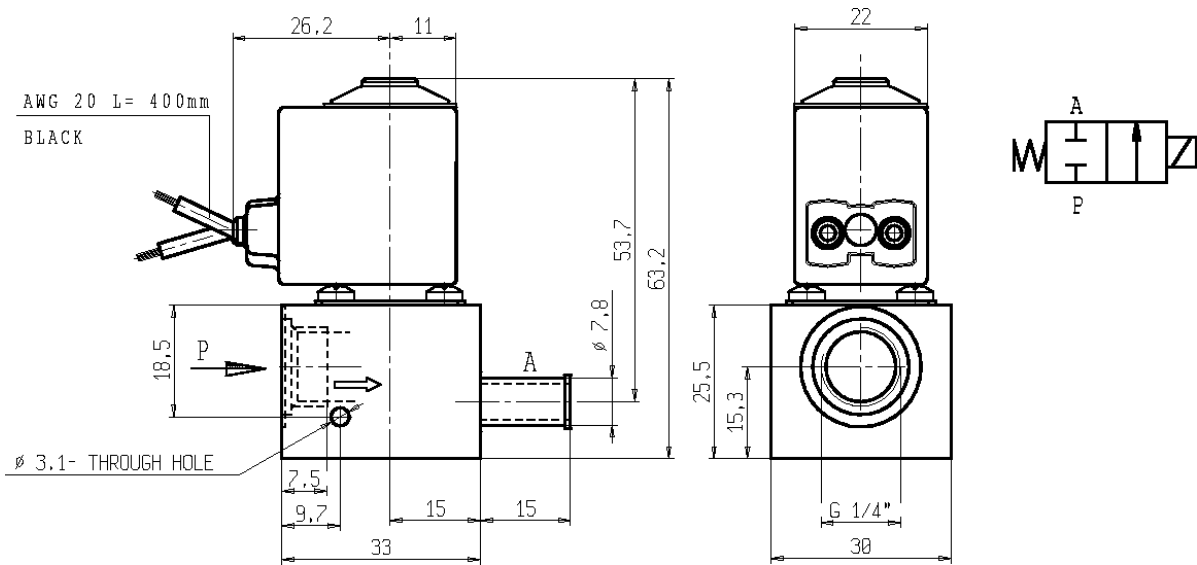




L152

2/2 - SOLENOID VALVE - Normally closed (N.C.) Series L152 - Coil Z815A - G 1/4

ISO 9001



FEATURES - Direct acting solenoid valve, small body size. Suitable to shut off liquid and gaseous media compatible with the valve materials.

MOUNTING - In any position, vertical with coil upwards preferred.

VALVE - Body in PMMA (Polymethyl methacrylate). Internal parts in stainless steel. Seals as per table. Medium temperature from -10°C to +70°C.

Viscosity max 5°E (~37cStokes or mm²/s). Opening time ~20ms. Closing time ~20ms.

COIL - Rated for continuous duty in AC (alternate current). Coil in class "F" (+155°C) wound by class "H" wires (+180°C) vacuum impregnated by polyester resin and encapsulated into glass fibre reinforced PBT (polybutylene-terephthalate). Ambient temperature from -10°C to +60°C.

Standard voltages 24V/50Hz - 110V/50Hz (120V/60Hz) - 230V/50Hz.

Voltage tolerance +10% -15%.

Electric plug connection: n° 2 wires AWG 20 length 400mm.

Protection degree IP66 as per EN 60529.

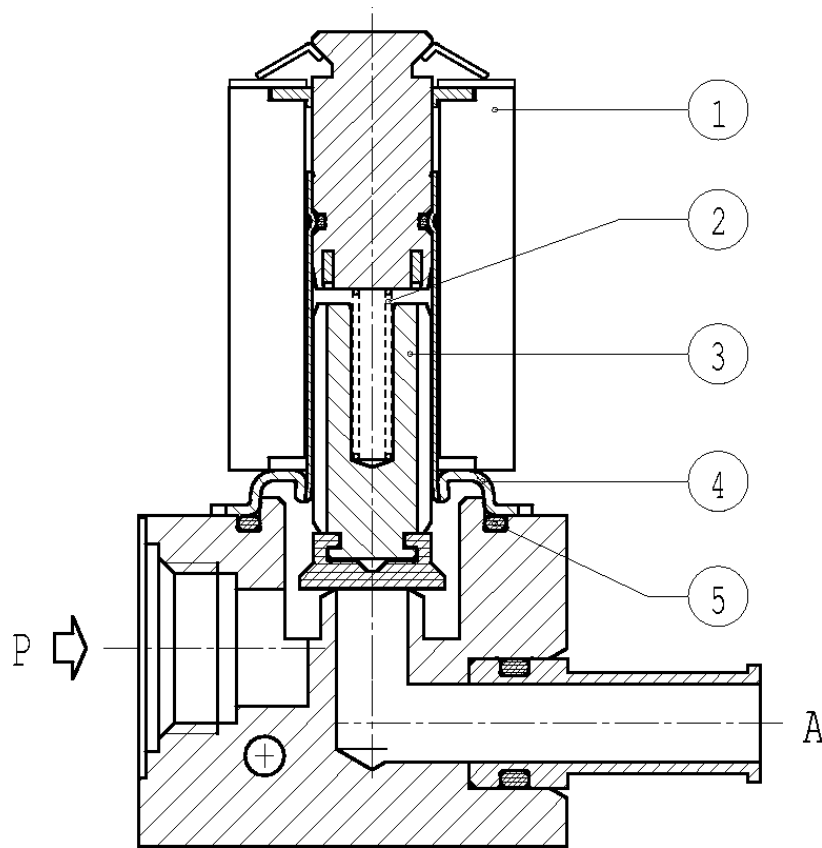
NON STANDARD

| Port size ISO 228 | Orifice size (mm) | Max pressure (bar) | | | | Kv (m ³ /h) | Series and type | | Power absorption | | | Seals | Notes | Weight (kg) |
|----------------------|-------------------------|--------------------|----|---------|----|---------------------------|-----------------|-------|------------------|---------|-----------|-------|-------|----------------|
| | | Gases | | Liquids | | | Valve | Coil | AC (VA) | | DC (W) | | | |
| | | AC | DC | AC | DC | | | | Inrush | Holding | | | | |
| G 1/4 | 5,5 | 1 | - | 1 | - | 0,50 | L152S01 | Z815A | 10 | 7 | - | VMQ | - | 0,115 |

NOTES - Seal: VMQ = silicone elastomer
- Other voltages and frequencies on request.

SPARE PARTS

Series L152



NON STANDARD

| Kit description | Kit P.N. | Consisting of : |
|------------------------|----------|---|
| Core kit | G3044801 | Core pos. 3 Guide pipe assembly O-Ring pos.5 Core return spring pos.2 |
| Core return spring kit | G2693101 | N. 10 Core return springs pos.2 |
| Guide pipe assembly | 3044201 | Guide pipe assembly pos. 4 |
| Coil Z815A | | Coil pos. 1 |

NB - THE VALIDITY OF REPORTED DATA IS REFERRED TO THE DATE OF ISSUE. POSSIBLE UPDATING ARE AVAILABLE ON REQUEST