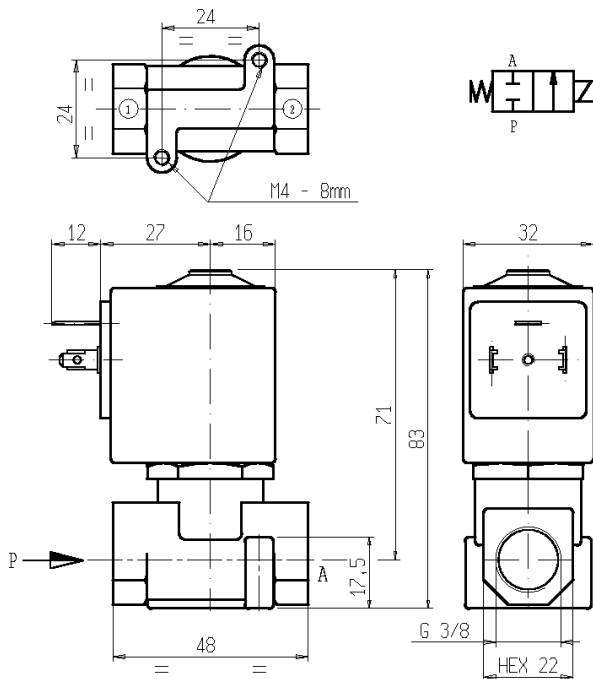




2/2 - SOLENOID VALVE - Normally closed (N.C.)
Series L151 - Coil Z530A - G 3/8

ISO 9001

NON STANDARD



FEATURES - Direct acting solenoid valve. Suitable to shut off liquid and gaseous media compatible with the valve materials.

MOUNTING - In any position, vertical with coil upwards preferred.

VALVE - Brass body. Internal parts in stainless steel. Seals as per table. Medium temperature from -10°C to +90°C. Viscosity max 5°E (~37cStokes or mm²/s). Opening time ~30ms. Closing time ~30ms.

COIL - Rated for continuous duty in AC (alternate current) or DC (direct current). Coil in class "F" (+155°C) wound by class "H" wires (+180°C) vacuum impregnated by polyester resin and encapsulated into glass fibre reinforced PBT (polybutylene-terephthalate).

Ambient temperature from -10°C to +60°C

Standard voltages 24/50Hz-110/50Hz (120/60Hz)-220/50Hz (240/60Hz)-230V/50Hz and 12-24 V DC

Voltage tolerance +10% -15% AC and +10% -5% DC.

Electric plug connection (DIN 46340) or suitable for 3 poles connectors (DIN 43650).

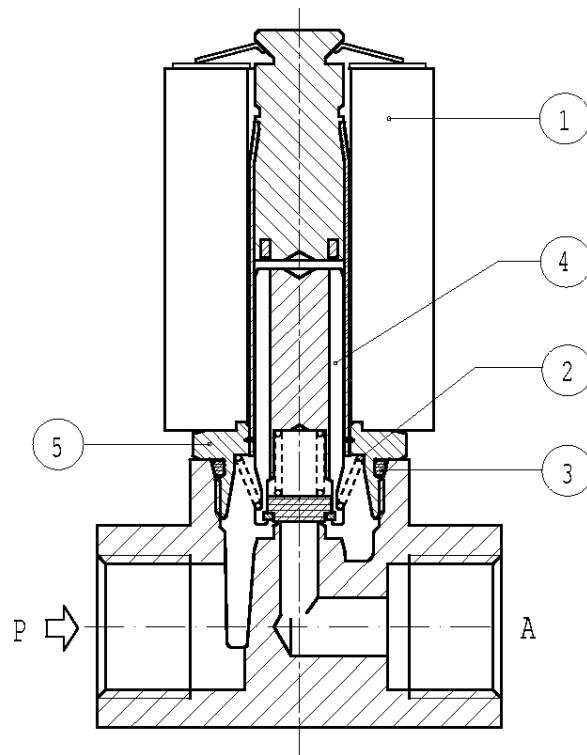
Protection degree IP65 EN 60529 if the coil is duly fitted with its plug connector.

Port size ISO 228	Orifice size (mm)	Max pressure (bar)				Kv (m ³ /h)	Series and type		Power absorption			Seals	Notes	Weight (kg)
		Gases		Liquids			Valve	Coil	AC (VA)		DC (W)			
		AC	DC	AC	DC				Inrush	Holding				
3/8	4,5	6	2,5	6	2,5	0,54	L151B01	Z530A	23	14	9	NBR	-	0,400

NOTES - Seal: NBR = Nitrile-butylene elastomer
 - Other voltages and frequencies on request.

SPARE PARTS

Series L151



Kit Description

Kit P.N.

Consisting of:

Core kit

G3013701

Core pos. 4

Kit core return spring

G3013301

N° 10 core return spring pos. 2

OR guide assembly kit

GU2421000017

N° 10 Orguide assembly pos. 3

Guide pipe assembly

3013801

Guide assembly pos. 5

Coil Z530A

Coil pos. 1

NB - THE VALIDITY OF REPORTED DATA IS REFERRED TO THE DATE OF ISSUE. POSSIBLE UPDATING ARE AVAILABLE ON REQUEST