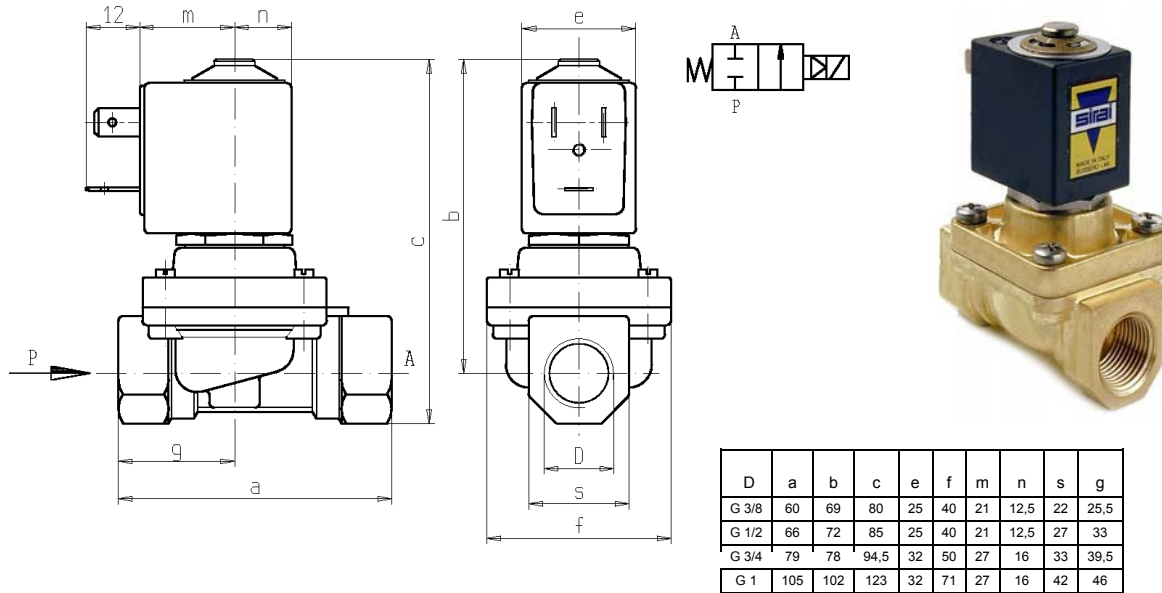




2/2 - SOLENOID VALVE - Normally closed (N.C.)
Series L145 - Coil Z534A - Z614A - G 3/8 ÷ 1

ISO 9001



D	a	b	c	e	f	m	n	s	g
G 3/8	60	69	80	25	40	21	12,5	22	25,5
G 1/2	66	72	85	25	40	21	12,5	27	33
G 3/4	79	78	94,5	32	50	27	16	33	39,5
G 1	105	102	123	32	71	27	16	42	46

FEATURES - Pilot operated solenoid valve with full orifice. Designed to shut off overheated water, steam and other media compatible with the valve materials. Minimum operating pressure is needed.

MOUNTING - In any position, vertical with coil upwards preferred.

VALVE - Brass body with seat in stainless steel. Diaphragm in PTFE (Polytetrafluorethylene) with plunger seal in glass-fibre reinforced PTFE, other internal parts in brass and stainless steel. Medium temperature from +60°C to +170°C. Viscosity max 5°E (~37cStokes or mm²/s). Opening time ~100ms. Closing time from ~500ms to ~1500ms.

COIL - Rated for continuous duty only in AC (alternate current). Coil in class "H" (+180°C) vacuum impregnated by polyester resin and encapsulated into glass fibre reinforced PPS (polyphenylene-sulfide).

Ambient temperature from -10°C to +80°C.

Standard voltages 24V/50Hz - 110V/50Hz (120V/60Hz) - 230V/50Hz.

Voltage tolerance +10% -15%.

Electric plug connection (DIN 46340) or suitable for 3 poles connectors for Z5 (DIN 43650) and 3 poles connectors for Z6.

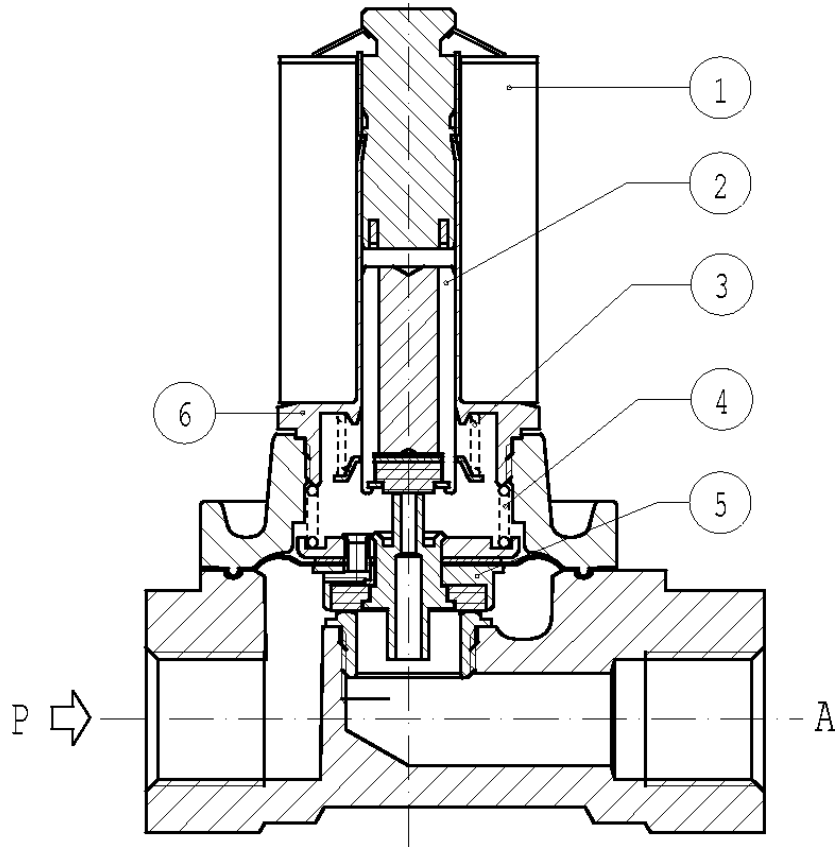
Protection degree IP65 as per EN 60529 if the coil is duly fitted with its plug connector.

Port size ISO 228	Orifice size (mm)	P Min bar	Max pressure (bar)				Kv (m ³ /h)	Series and type		Power absorption			Seals	Notes	Weight (kg)
			Gases		Liquids			Valve	Coil	AC (VA)		DC (W)			
			AC	DC	AC	DC				Inrush	Holding				
G 3/8	10	0,4	8	-	8	-	2	L145R2	Z614A	16	10	Reinforced PTFE	-	-	0,360
G 1/2															
G 3/4	16		6	-	6	-	4,5	L145R4	Z534A	23	14				
G 1	18,5														

NOTES - Seal: PTFE = Reinforced Polytetrafluorethylene
 - Other voltages and frequencies on request.

SPARE PARTS

Series L145



Kit Description

Kit P.N.

Consisting of:

Core kit G 3/8-1/2
Core kit G3/4-1

G2641702
G2665102

Core pos. 2
Core return spring pos. 3

Diaphragm assembly kit G3/8-1/2
Diaphragm assembly kit G3/4
Diaphragm assembly kit G1

G2647501
G2653301
G2665201

Diaphragm assembly pos. 5
Spring on diaphragm pos. 4

Spring on diaphragm kit G3/8-1/2
Spring on diaphragm kit G3/4
Spring on diaphragm kit G1

G2635301
G2641501
G2662201

N. 10 springs on diaphragm pos. 4

Core return spring kit G3/8-1/2
Core return spring kit G3/4-1

G2651301
G2555101

N. 10 core return spring pos. 3

Guide pipe assembly G3/8-1/2
Guide pipe assembly G3/4-1

2817601
2797701

Guide pipe assembly pos. 6
Guide pipe assembly pos. 6

Coil Z614A G3/8-1/2
Coil Z534A G3/4-1

Coil pos. 1
Coil pos. 1

NB - THE VALIDITY OF REPORTED DATA IS REFERRED TO THE DATE OF ISSUE. POSSIBLE UPDATING ARE AVAILABLE ON REQUEST