

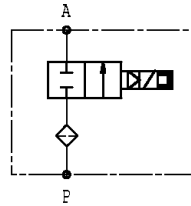
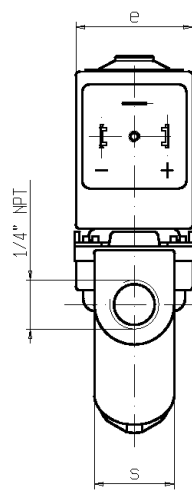
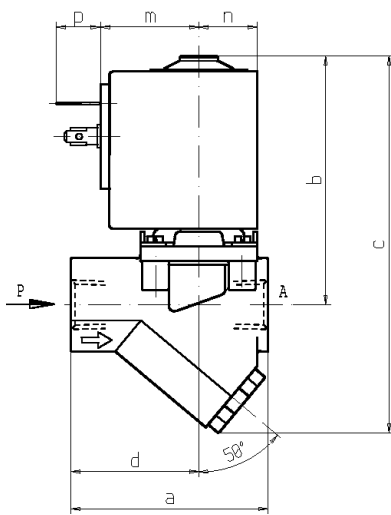


2/2 - SOLENOID VALVE - Normally closed (N.C.)
Series L142 - Coil Z570C - 1/4 NPT

L142

Latching model

ISO 9001



| | a | b | c | d | e | m | n | p | s |
|-----|------|------|------|------|------|------|------|------|------|
| ins | 2,12 | 2,68 | 4,05 | 1,38 | 1,26 | 0,63 | 1,06 | 0,47 | 0,87 |
| mm | 54 | 68 | 103 | 35 | 32 | 27 | 16 | 12 | 22 |

FEATURES - Pilot operated solenoid valve with full orifice. With built-in strainer fitted on the inlet flow path. Suitable to shut off liquid and gaseous media compatible with the valve materials. Minimum operating pressure is needed.

MOUNTING - In any position, vertical with coil upwards preferred.

VALVE - Brass body. Internal parts in stainless steel and POM (acetal copolymer). Seals as per table. Medium temperature from -10°C (+14°F) to +90°C (+194°F). Viscosity max 5°E, ~37cStokes or mm²/s (~3,98 x 10⁻⁴ FT²/s). Opening time ~30ms. Closing time ~50ms.

COIL - Latching model, polarized type only in DC (direct current). Operated by impulses; minimum energizing time: 50ms. Coil in class "A" (+105°C/+221°F) wound by class "H" wires (+180°C/+356°F) vacuum impregnated by polyester resin and encapsulated into PP-VO (self-extinguishing polypropylene).

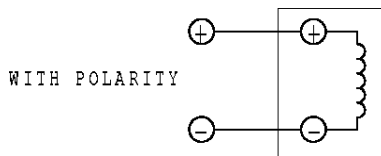
Ambient temperature from -10°C to +60°C (+14°F to +140°F)

Standard voltages 6 - 12 V DC.

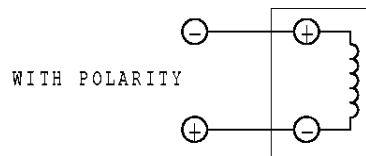
Voltage tolerance +10% -10%.

Electric plug connection (DIN 46340) or suitable for 3 poles connectors (DIN 43650).

Protection degree IP65 EN 60529 if the coil is duly fitted with its plug connector.



OPEN VALVE



CLOSED VALVE

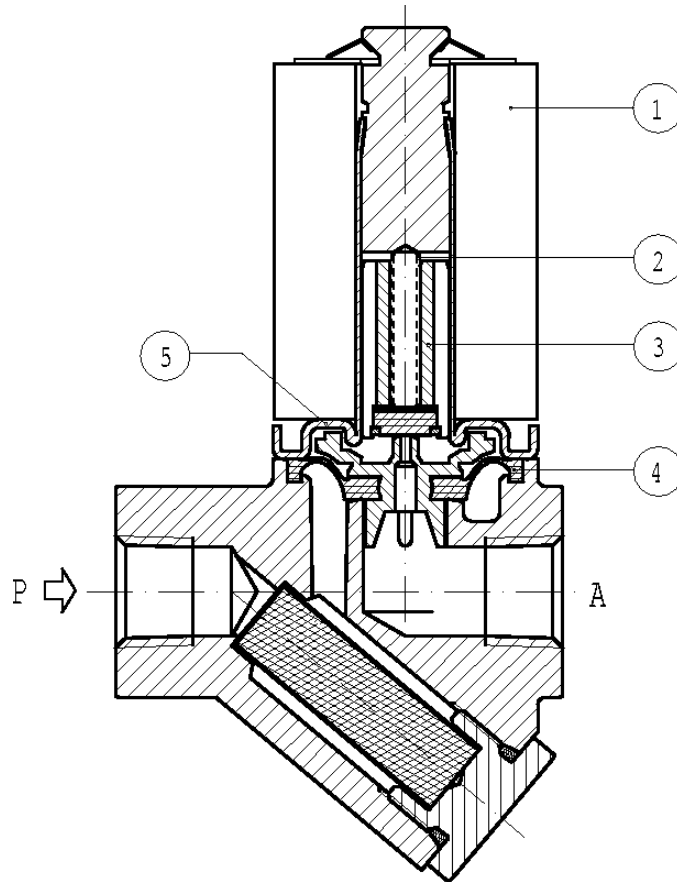
| Port size | Orifice size mm (ins) | P Min Bar (psi) | Max pressure bar (psi) | | | | Kv m ³ /h (Cv GPM) | Series and type | | Power absorption | | | Seals | Notes | Weight (kg) |
|-----------|-----------------------|-----------------|------------------------|---------|---------|---------|-------------------------------|-----------------|-------|------------------|---------|--------|-------|-------|-------------|
| | | | Gases | | Liquids | | | Valve | Coil | AC (VA) | | DC (W) | | | |
| | | | AC | DC | AC | DC | | | | Inrush | Holding | | | | |
| 1/4 NPT | 10 (25/64) | 0,35 (5) | - | 9 (130) | - | 9 (130) | 0,50 (0.58) | L142B01 | Z570C | - | - | 3 | NBR | - | 0,480 |

NOTES - Seal: NBR = Nitrile-butylene elastomer
 - Other voltages on request.

NON STANDARD

SPARE PARTS

Series L142



NON STANDARD

Kit description

Kit P.N.

Consisting of :

| | | |
|------------------------|----------|------------------------------------------|
| Core kit | G3042601 | Core pos. 3 Core return spring pos. 2 |
| Core return spring kit | G2781701 | N° 10 Core return springs pos. 3 |
| Diaphragm assembly | 2706503 | Diaphragm assembly pos. 4 |
| Guide pipe assembly | 2733801 | Guide pipe assembly pos. 5 |
| Coil Z570C | | Coil pos. 1 |

NB - THE VALIDITY OF REPORTED DATA IS REFERRED TO THE DATE OF ISSUE. POSSIBLE UPDATING ARE AVAILABLE ON REQUEST