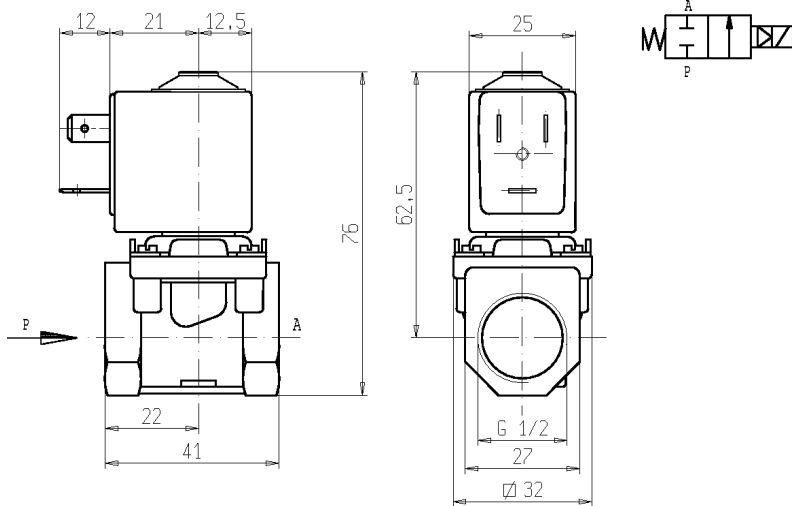




**2/2 - SOLENOID VALVE - Normally closed (N.C.)**  
**Series L140 - Coil Z610A - G 1/2**

ISO 9001



**FEATURES** - Pilot operated solenoid valve with full orifice. Small body size. Suitable to shut off liquid and gaseous media compatible with the valve materials. Minimum operating pressure is needed.

**MOUNTING** - In any position, vertical with coil upwards preferred.

**VALVE** - Brass body. Internal parts in stainless steel and POM (acetal copolymer). Seals as per table. Medium temperature from -10°C to +90°C (NBR), from 0°C to +130°C (FPM). Viscosity max 5°E (~37cStokes or mm²/s). Opening time ~30ms. Closing time ~50ms.

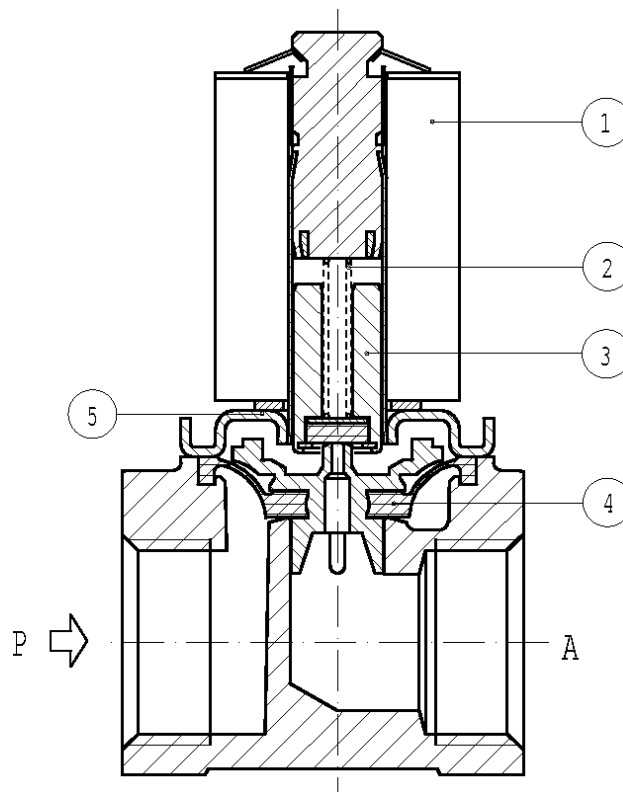
**COIL** - Rated for continuous duty only in AC (alternate current 50/60Hz.). Coil in class "F" (+155°C) wound by class "H" wires (+180°C) vacuum impregnated by polyester resin and encapsulated into glass fibre reinforced PBT (polybutylene-terephthalate). Ambient temperature from -10°C to +60°C. Standard voltages 24-110-220-230V/50-60Hz. Voltage tolerance +10% -15%. Electric plug connection (DIN 46340) or suitable for 3 poles connectors. Protection degree IP65 as per EN 60529 if the coil is duly fitted with its plug connector.

Port size ISO 228	Orifice size (mm)	P Min bar	Max pressure (bar)				Kv (m³/h)	Series and type		Power absorption			Seals	Notes	Weight (kg)
			Gases		Liquids			Valve	Coil	AC (VA)		DC (W)			
			AC	DC	AC	DC				Inrush	Holding				
G1/2	10	0,35	10	-	10	-	1,5	L140B5	Z610A	16	10	-	NBR	1	0,270
								L140V5					FPM		
								L140B7					NBR		

- NOTES**
- Continuous changes of pressure may reduce the life of the diaphragm.
  - Seal: NBR = Nitrile-butylene elastomer FPM = Fluoro-carbon elastomer
  - Other voltages and frequencies on request.
  - 1 - The max pressure value is valid only for 50Hz. For operation at 60Hz, maximum pressure 5 bar.
  - 2 - Core with chemically nickel plated (Ni-P).

# SPARE PARTS

## Series L140



### Kit Description

Core kit L140B5  
Core kit L140V5  
Core kit L140B7

Core return spring kit

Diaphragm assembly L140B5-B7  
Diaphragm assembly L140V5

Guide pipe assembly

Coil Z610A

### Kit P.N.

G2851701  
G2851702  
G2851703

G2733901

2706503  
2706504

2733801

### Consisting of:

Core pos. 3  
Core return spring pos. 2

n° 10 Core return springs pos. 2

Diaphragm assembly pos. 4

Guide pipe assembly pos. 5

Coil pos. 1

NB - THE VALIDITY OF REPORTED DATA IS REFERRED TO THE DATE OF ISSUE. POSSIBLE UPDATING ARE AVAILABLE ON REQUEST