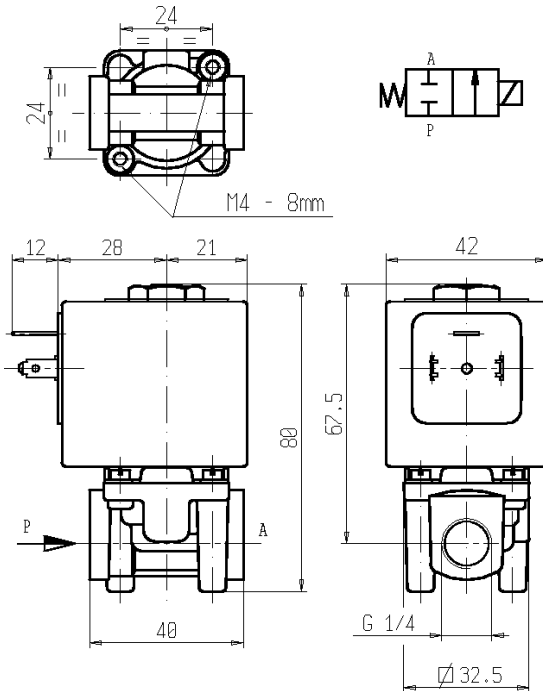




2/2 - SOLENOID VALVE - Normally closed (N.C.)
Series L139 - Coil Z110A - G 1/4

ISO 9001



FEATURES - Direct acting solenoid valve, available in different models. Suitable to shut off liquid and gaseous media compatible with the valve materials.

MOUNTING - In any position, vertical with coil upwards preferred.

VALVE - Brass body . Internal parts in stainless steel. Seals as per table. Medium temperature from -10°C to +90°C (NBR), from 0°C to +130°C (FPM), from -10°C to +140°C (EPDM). Viscosity max 5°E (~37cStokes or mm²/s). Opening time ~30ms. Closing time ~30ms.

COIL - Rated for continuous duty in AC (alternate current) or DC (direct current). Coil in class "F" (+155°C) wound by class "H" wires (+180°C) vacuum impregnated by polyester resin and encapsulated into glass fibre reinforced PBT (polybutylene-terephthalate).

Ambient temperature from -10°C to +60°C

Standard voltages - 24/50Hz - 110/50Hz (120/60Hz) - 220/50Hz (240/60Hz) - 230V/50Hz and 12-24 V DC

Voltage tolerance +10% -15% AC and +10% -5% DC.

Electric plug connection (DIN 46340) or suitable for 3 poles connectors (DIN 43650).

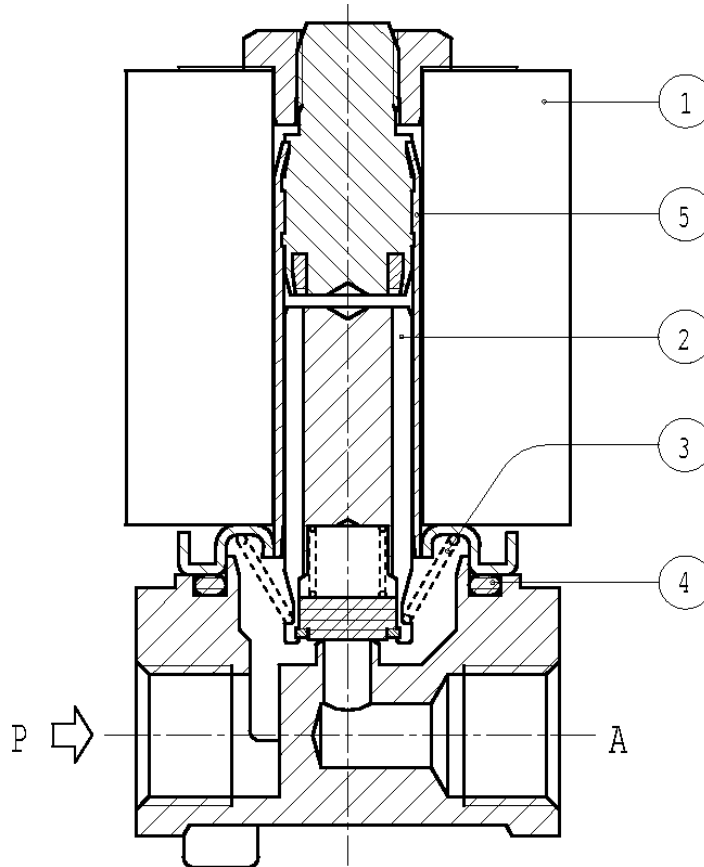
Protection degree IP65 as per EN 60529 if the coil is duly fitted with its plug connector.

Port size ISO 228	Orifice size (mm)	Max pressure (bar)				Kv (m³/h)	Series and type		Power absorption			Seals	Notes	Weight (kg)	
		Gases		Liquids			Valve	Coil	AC (VA)		DC (W)				
		AC	DC	AC	DC				Inrush	Holding					
G 1/4	4,5	8	4	8	4	0,50	L139B3	Z110A	44	24	13	NBR	-	0,500	
							L139V3					FPM			
							L139D3					EPDM			1
	6	3,5	1,5	3,5	1,5		L139B6					NBR			-
							L139V6					FPM			
							L139D6					EPDM			

NOTES - Seal: NBR = Nitrile-butylene elastomer FPM = Fluoro-carbon elastomer
 EPDM = Ethylene-propylene elastomer
 - Other voltages and frequencies on request.
 1 - EPDM seal on request.

SPARE PARTS

Series L139



Kit Description

Core kit L139B3-B6
L139V3-V6
L139D3-D6

Core spring kit L139-B-V-D-3
L139-B-V-D-6

Guide pipe assembly L139B-V-D3
L139-B-V-D6

Coil Z110A

Kit P.N.

G2877301
G2877302
G2877303

G2867301

2867101

Consisting of:

Core pos. 2
OR guide assembly pos. 4

N. 10 Core return springs pos. 3

Guide pipe assembly pos. 5

Coil pos. 1

NB - THE VALIDITY OF REPORTED DATA IS REFERRED TO THE DATE OF ISSUE. POSSIBLE UPDATING ARE AVAILABLE ON REQUEST