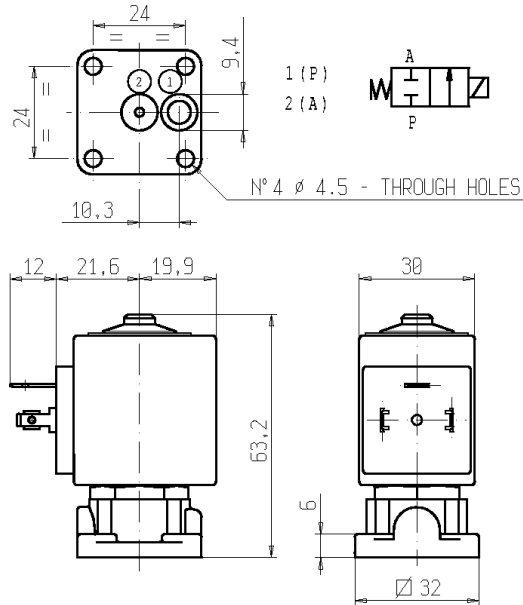




L134V05

2/2 - SOLENOID VALVE - Normally closed (N.C.)
Series L134V05 - Coil ZA30A

ISO 9001



NON STANDARD

FEATURES - Direct acting solenoid valve, designed for mounting on plate. Suitable to shut off liquid and gaseous media compatible with the valve materials. Inlet and outlet ports placed asymmetrically at the bottom of the body. They are supplied with sealing OR.

MOUNTING - In any position, vertical with coil upwards preferred.

VALVE - Brass body. Internal parts in stainless steel. Seals as per table. Medium temperature from 0°C +130°C. Viscosity max 5°E (~37cStokes or mm²/s). Opening time from ~20ms. Closing time from ~20ms.

COIL - Rated for continuous duty in AC (alternate current) or DC (direct current). Coil in class "F" (+155°C) wound by class "H" wires (+180°C) vacuum impregnated by polyester resin and encapsulated into glass fibre reinforced PBT (polybutylene-terephthalate). Ambient temperature from -10°C to +50°C

Standard voltages 24/50Hz-110/50Hz (120/60Hz)-220/50Hz (240/60Hz)-230V/50Hz and 12-24 V DC.

Voltage tolerance +10% -15%. AC and +10% -5% DC

Electric plug connection (DIN 46340) or suitable for 3 poles connectors (DIN 43650).

Protection degree IP65 as per EN 60529 if the coil is duly fitted with its plug connector.

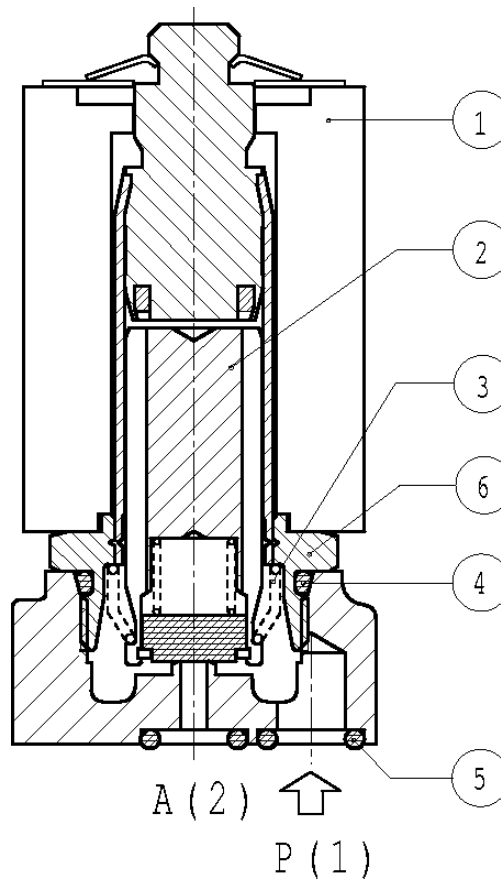
Port size	Orifice size (mm)	Max pressure (bar)				Kv (m ³ /h)	Series and type		Power absorption			Seals	Notes	Weight (kg)
		Gases		Liquids			Valve	Coil	AC (VA)		DC (W)			
		AC	DC	AC	DC				Inrush	Holding				
-	1,6	30	30	30	30	0,09	L134V05	ZA30A	23	14	9	FPM	-	0,250
	2,3	20	16	20	16	0,15								

NOTES

- Seal: FPM=Fluoro-carbon elastomer
- Other voltages and frequencies on request.

SPARE PARTS

Séries L134v05



NON STANDARD

Kit description

Kit P.N.

Consisting of :

Core kit	G3022803	Core pos. 2
Core spring kit	G3022401	N. 10 Core return springs pos. 3
OR for guide pipe assembly	GU242400017	N° 10 OR guide pipe assembly pos. 4
OR body kit	GU2424000007	N.10 OR body kit pos.5
Guide pipe assembly	3008301	Guide pipe assembly pos.6
Coil ZA30A		Coil pos. 1

NB - THE VALIDITY OF REPORTED DATA IS REFERRED TO THE DATE OF ISSUE. POSSIBLE UPDATING ARE AVAILABLE ON REQUEST