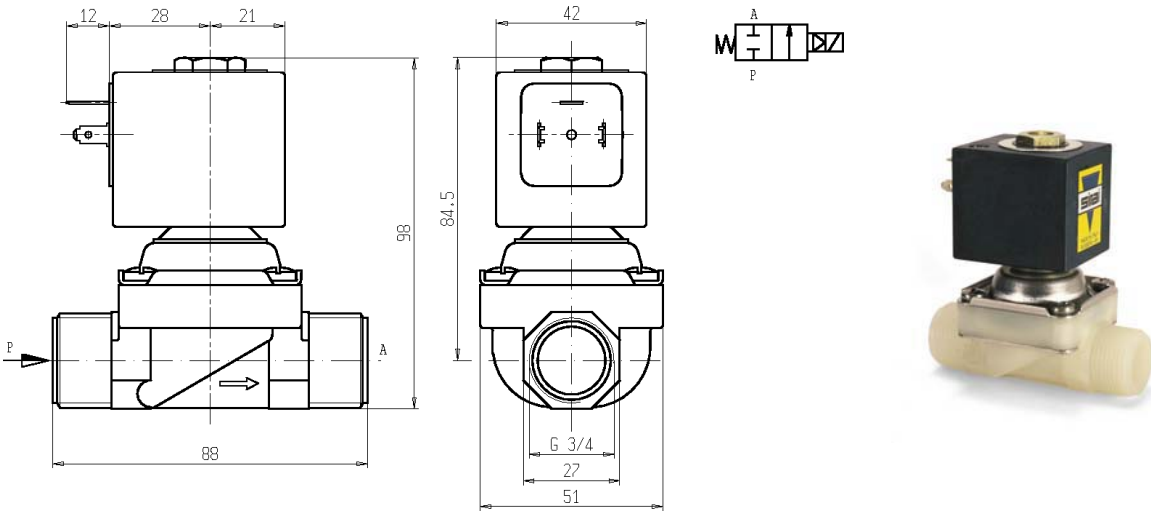




L131

2/2 - SOLENOID VALVE - Normally closed (N.C.)
Series L131 - Coil Z110A - G3/4

ISO 9001



FEATURES - Pilot operated diaphragm valve with full orifice. Suitable to shut off liquid and gaseous media compatible with the valve materials. An important characteristic is the exclusion of copper and its alloys from the contact with the medium. Minimum operating pressure is needed.

MOUNTING - In any position, vertical with coil upwards preferred.

VALVE - Body moulded in glass fibre reinforced PP (Poly-propylene). Internal parts in stainless steel, PPOm (modified polyphenil oxide) and silver plated copper shading ring. Seals as per table. Medium temperature from -10°C to +80°C. Viscosity max 5°E (~37cStokes or mm²/s). Opening time ~30ms. Closing time ~50ms.

COIL - Rated for continuous duty only in AC (alternate current). Coil in class "F" (+155°C) wound by class "H" wires (+180°C) vacuum impregnated by polyester resin and encapsulated into glass fibre reinforced PBT (polybutylene-terephthalate). Ambient temperature from -10°C to +60°C.

Standard voltages 24/50Hz-110/50Hz (120/60Hz)-230V/50Hz.

Voltage tolerance +10% -15%.

Electric plug connection (DIN 46340) or suitable for 3 poles connectors (DIN 43650).

Protection degree IP65 as per EN 60529 if the coil is duly fitted with its plug connector.

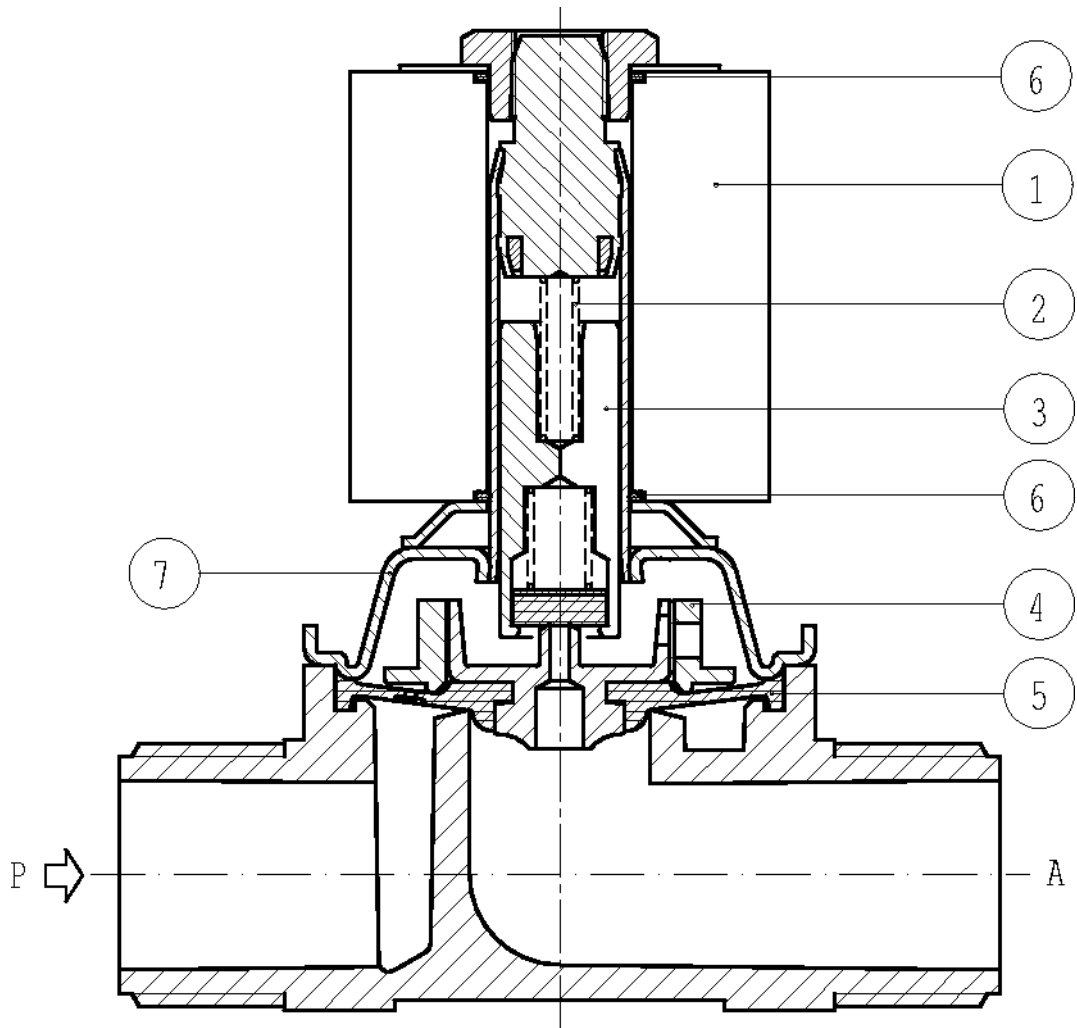
| Port size ISO228 | Orifice size (mm) | P Min bar | Max pressure (bar) | | | | Kv (m³/h) | Series and type | | Power absorption | | | Seals | Notes | Weight (kg) |
|---------------------|-------------------------|-----------------|--------------------|----|---------|----|--------------|-----------------|-------|------------------|---------|-----------|-------|-------|----------------|
| | | | Gases | | Liquids | | | Valve | Coil | AC (VA) | | DC (W) | | | |
| | | | AC | DC | AC | DC | | | | Inrush | Holding | | | | |
| | | | | | | | | | | | | | | | |
| G 3/4 | 18 | 0,2 | 6 | - | 6 | - | 4,8 | L131V05 | Z110A | 44 | 24 | - | FPM | - | 0,470 |

- NOTES**
- Continuous changes of pressure may reduce the life of the diaphragm.
 - Seal: FPM = Fluoro-carbon elastomer.
 - Other voltages and frequencies on request.



SPARE PARTS

Séries L131



Kit description

Kit P.N.

Consisting of :

| | | |
|------------------------|--------------|--|
| Core kit | G2590401 | Core return spring pos.2 Core pos. 3 |
| Core spring kit | G2002301 | N. 10 Core return springs pos.2 |
| Diaphragm assembly kit | G2778801 | Reinforcement disc pos.4 Diaphragm assembly pos.5 |
| Kit OR for coil | GU2421000138 | N.10 OR for coil pos.6 |
| Guide pipe assembly | 2820602 | Guide pipe assembly pos.7 |
| Coil Z110A | | Coil pos. 1 |

NB - THE VALIDITY OF REPORTED DATA IS REFERRED TO THE DATE OF ISSUE. POSSIBLE UPDATING ARE AVAILABLE ON REQUEST