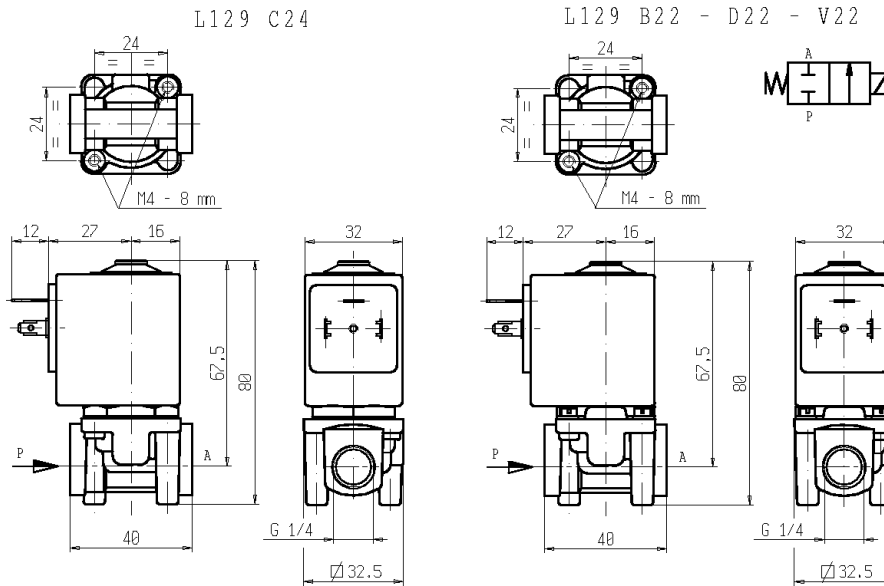




2/2 - SOLENOID VALVE - Normally closed (N.C.)
Series L129 - Coil Z530A - Z534A - G 1/4

ISO 9001



FEATURES - Direct acting solenoid valve, available in different models. Suitable to shut off liquid and gaseous media compatible with the valve materials.

MOUNTING - In any position, vertical with coil upwards preferred.

VALVE - Brass body . Internal parts in stainless steel. Seals as per table . Models with seat in stainless steel. Medium temperature from -10°C to +90°C (NBR), from 0°C to +130°C (FPM), from -10°C to +140°C (EPDM), from +10°C to +170°C (RUBY) . Viscosity max 5°E (~37cStokes or mm²/s). Opening time ~30ms. Closing time ~30ms.

COIL - Rated for continuous duty in AC (alternate current) or DC (direct current). Z530A: coil in class "F" (+155°C) wound by class "H" wires (+180°C) vacuum impregnated by polyester resin encapsulated into glass fibre reinforced PBT (polybutylene-terephthalate). Z534A: coil in class "H" (+180°C) vacuum impregnated by polyester resin and encapsulated into glass fibre reinforced PPS (Polyphenylene-sulfide).

Ambient temperature from -10°C to +60°C (Z530A), +80°C (Z534A).

Standard voltages 24/50Hz-110/50Hz (120/60Hz)-220/50Hz (240/60Hz)-230V/50Hz and 12-24 V DC.

Voltage tolerance +10% -15% AC and +10% -5% DC.

Electric plug connection (DIN 46340) or suitable for 3 poles connectors (DIN 43650).

Protection degree IP65 as per EN 60529 if the coil is duly fitted with its plug connector.

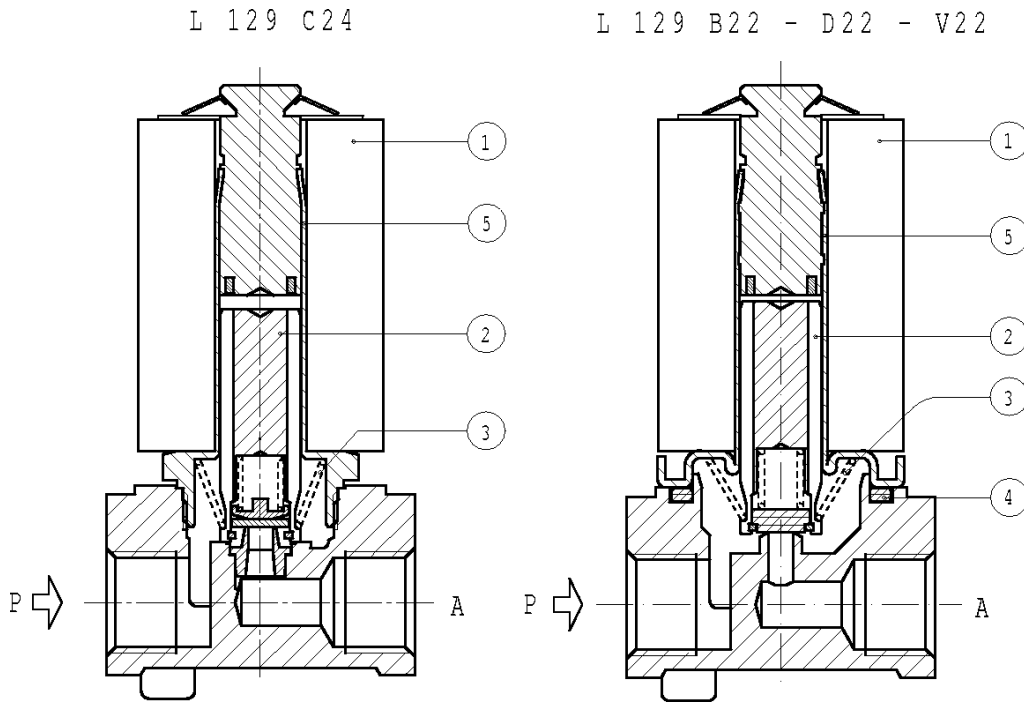
Port size ISO 228	Orifice size (mm)	Max pressure (bar)				Kv (m³/h)	Series and type		Power absorption			Seals	Notes	Weight (kg)
		Gases		Liquids			Valve	Coil	AC (VA)		DC (W)			
		AC	DC	AC	DC				Inrush	Holding				
G 1/4	3,2	12	7	12	7	0,30	L129B22	Z530A	23	14	9	NBR	-	0,380
							L129V22					FPM		
							L129D28					EPDM		
	4,5	6	2,5	6	2,5	0,45	L129B22	Z530A	23	14	9	NBR	-	0,380
							L129V22					FPM		
							L129C24					Z534A		
L129C24	RUBY	1-2-3												

NOTES - Seal: NBR = Nitrile-butylene elastomer FPM = Fluoro-carbon elastomer
 EPDM = Ethylene-propylene elastomer RUBY = Synthetic corundum

- Other voltages and frequencies on request.
- On request models complying with BGA-FDA-NSF standards.
- 1 - Solenoid valves with stainless steel seat, suitable for over-heated water and steam.
- 2 - On request coil type Z530A encapsulated into PBT (Polybutylene-terephthalate) class "F" (+155°C), maximum ambient temperature +60°C.
- 3 - The use of rigid sealings with gaseous fluids implies a slight leakage, generally limited within 2 scc/min at 1 bar pressure.
- 4 - On request coil type Z534A encapsulated into (PPS Polyphenylene-sulfide) class "H" (+180°C), maximum ambient temperature +80°C.

SPARE PARTS

Series L 129



Kit Description

Kit P.N.

Consisting of:

Core kit L129B22 L129V22 L129D28	G2877601 G2877602 G2877603	Core pos. 2 OR guide assembly pos. 4
Core kit L129C24	G2877201	Core pos. 2 OR guide assembly pos. 4
Core spring kit L129B22-V22-D28	G2863601	N. 10 Core return springs pos. 3
Core spring kit L129C24	G2864301	N. 10 Core return springs pos. 3
Guide pipe assembly L129B22-V22-D28	2604401	Guide pipe assembly pos. 5
Guide pipe assembly L129C24	2865301	Guide pipe assembly pos. 5
Coil Z530A L129B22-V22-D28 Coil Z534A L129C24		Coil pos. 1 Coil pos. 1

NB - THE VALIDITY OF REPORTED DATA IS REFERRED TO THE DATE OF ISSUE. POSSIBLE UPDATING ARE AVAILABLE ON REQUEST