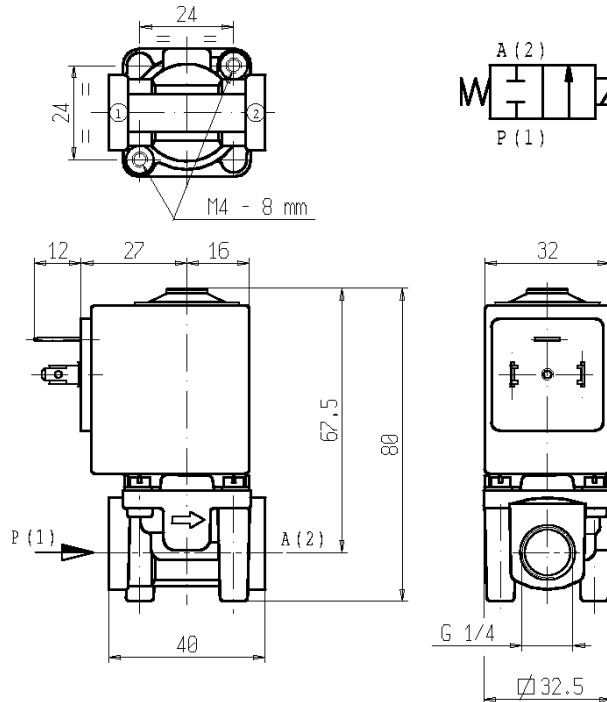




L129V30

2/2 - SOLENOID VALVE - Normally closed (N.C.)
Series L129V30 - Coil Z530A - G 1/4

ISO 9001



NON STANDARD

FEATURES - Direct acting solenoid valve. Suitable to shut off liquid and gaseous media compatible with the valve materials.

MOUNTING - In any position, vertical with coil upwards preferred.

VALVE - Both brass body and copper shading ring are chemically nickel plated (Ni-P). Internal parts in stainless steel. Seal as per table. Medium temperature from 0°C to +130°C. Viscosity max 5°E (~37cStokes or mm²/s). Opening time ~30ms. Closing time ~30ms.

COIL - Rated for continuous duty in AC (alternate current) or DC (direct current). Coil in class "F" (+155°C) wound by class "H" wires (+180°C) vacuum impregnated by polyester resin encapsulated into glass fibre reinforced PBT (polybutylene-terephthalate). Ambient temperature from -10°C to +60°C.

Standard voltages 24V/50Hz-110V/50Hz (120V/60Hz)-230V/50Hz and 12-24V DC.

Voltage tolerance +10% -15% AC and +10% -5% DC.

Electric plug connection (DIN 46340) or suitable for 3 poles connectors (DIN 43650).

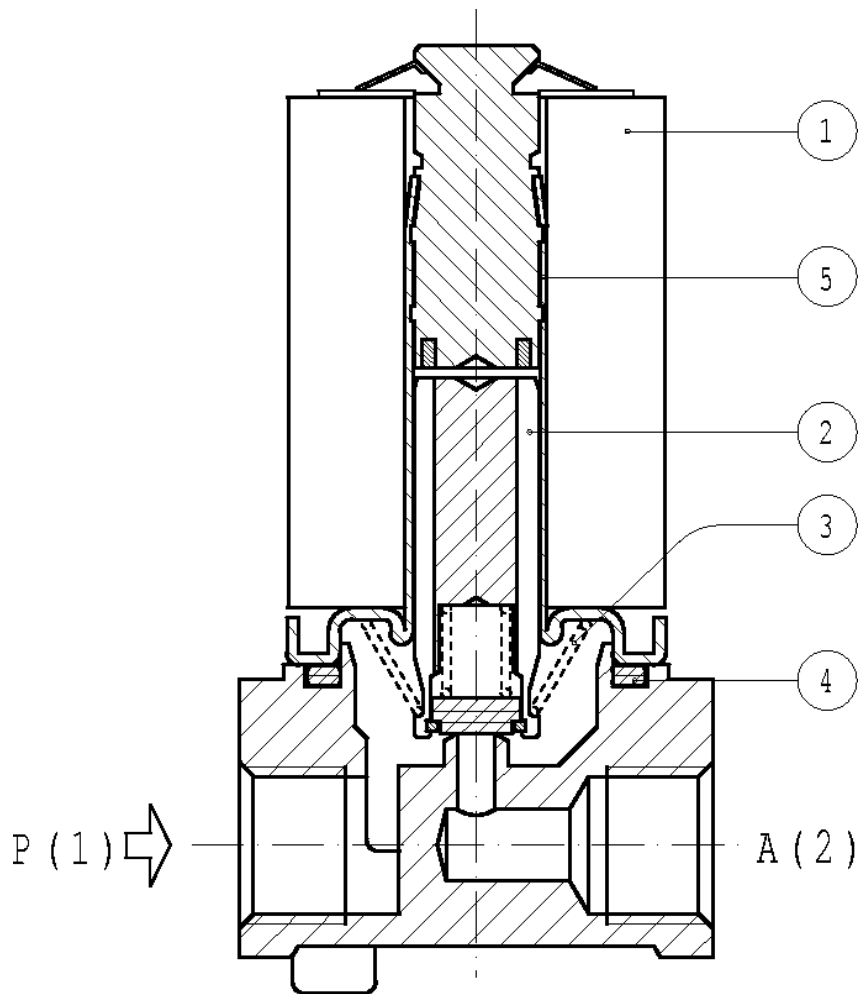
Protection degree IP65 as per EN 60529 if the coil is duly fitted with its plug connector.

Port size ISO 228	Orifice size (mm)	Max pressure (bar)				Kv (m ³ /h)	Series and type		Power absorption			Seals	Notes	Weight (kg)
		Gases		Liquids			Valve	Coil	AC (VA)		DC (W)			
		AC	DC	AC	DC				Inrush	Holding				
G 1/4	3,2	12	7	12	7	0,30	L129V30	Z530A	23	14	9	FPM	-	0,380

NOTES - Seal: FPM = Fluoro-carbon elastomer
 - Other voltages and frequencies on request.

SPARE PARTS

Séries L129V30



NON STANDARD

Kit description

Kit P.N.

Consisting of :

Core kit

G2877602

Core pos. 2
OR guide assembly pos. 4

Core spring kit

G2863601

N. 10 Core return springs pos. 3

Guide pipe assembly

2604405

Guide pipe assembly pos. 5

Coil Z530A

Coil pos. 1

NB - THE VALIDITY OF REPORTED DATA IS REFERRED TO THE DATE OF ISSUE. POSSIBLE UPDATING ARE AVAILABLE ON REQUEST