

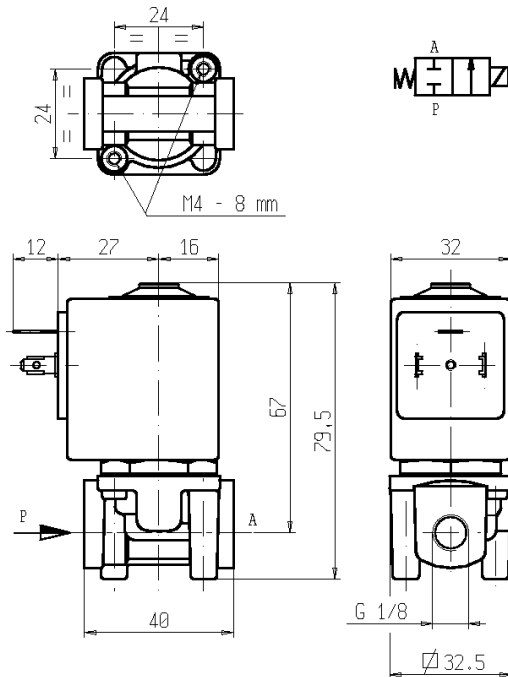


2/2 - SOLENOID VALVE - Normally closed (N.C.)

Series **L129N** - Coil Z530A - G 1/8

ISO 9001

NON STANDARD



FEATURES - Direct acting solenoid valve, designed to shut off refrigerants compatible with the construction materials. Suitable for CFC 12 and HFC 134a.

MOUNTING - In any position, vertical with coil upwards preferred.

VALVE - Brass body. Internal parts in stainless steel. Seals as per table. Medium temperature from -10°C to +90°C. Viscosity max 5°E (~37cStokes or mm²/s). Opening time ~20ms. Closing time ~20ms.

COIL - Rated for continuous duty in AC (alternate current) or DC (direct current). Coil in class "F" (+155°C) wound by class "H" wires (+180°C) vacuum impregnated by polyester resin and encapsulated into glass fibre reinforced PBT (polybutylene-terephthalate).

Ambient temperature from -10°C to +60°C.

Standard voltages 24/50Hz-110/50Hz (120/60Hz)-220/50Hz (240/60Hz)-230V/50Hz and 12-24 V DC.

Voltage tolerance +10% -15% AC and +10% -5% DC.

Electric plug connection (DIN 46340) or suitable for 3 poles connectors (DIN 43650).

Protection degree IP65 as per EN 60529 if the coil is duly fitted with its plug connector.

| Port size ISO 228 | Orifice size (mm) | Max pressure (bar) | | | | Kv (m ³ /h) | Series and type | | Power absorption | | | Seals | Notes | Weight (kg) |
|----------------------|-------------------------|--------------------|----|---------|----|---------------------------|-----------------|-------|------------------|---------|-----------|-------|-------|----------------|
| | | Gases | | Liquids | | | Valve | Coil | AC (VA) | | DC (W) | | | |
| | | AC | DC | AC | DC | | | | Inrush | Holding | | | | |
| G 1/8 | 3 | 10 | 8 | 10 | 8 | 0,25 | L129N17 | Z530A | 23 | 14 | 9 | CR70N | 1 | 0,380 |
| | 4,5 | 5 | 3 | 5 | 3 | 0,40 | | | | | | | | |
| | 3 | 10 | 8 | 10 | 8 | 0,25 | L129N27 | | | | | | | |
| | 4,5 | 5 | 3 | 5 | 3 | 0,40 | | | | | | | | |

NOTES - Seal: CR70N = Chloroprenic elastomer.

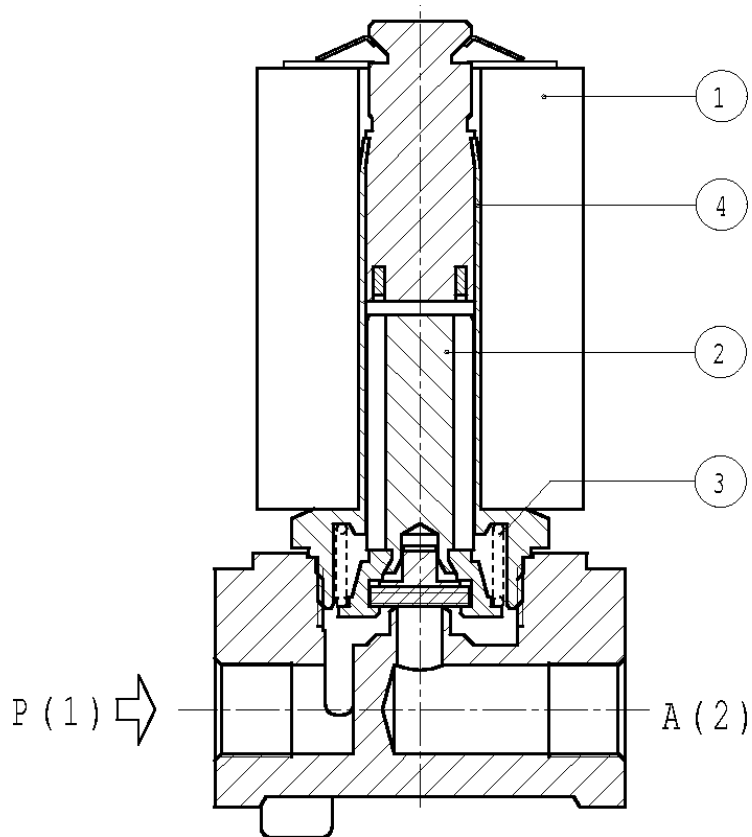
- Other voltages and frequencies on request.

1 - On request coil type Z534A encapsulated into PPS (polyphenylene-sulfide), class "H" (+180°C), maximum ambient temperature +80°C. Approval: UL (E153691).

2 - With nickel plated brass body (Ni-P).

SPARE PARTS

Series L129N



Kit Description

Kit P.N.

Consisting of:

Core kit
L129N17-N27 Ø 3
L129N17 Ø 4,5
L129N27 Ø 4,5

G2937101
G2937201
G2937202

Core pos. 2
Core return springs pos. 3

Core spring kit

G2555101

N. 10 Core return springs pos. 3

Guide pipe assembly L129N17
Guide pipe assembly L129N27

2797701
2865302

Guide pipe assembly pos. 4
Guide pipe assembly pos. 4

Coil Z530A

Coil pos. 1

NB - THE VALIDITY OF REPORTED DATA IS REFERRED TO THE DATE OF ISSUE. POSSIBLE UPDATING ARE AVAILABLE ON REQUEST