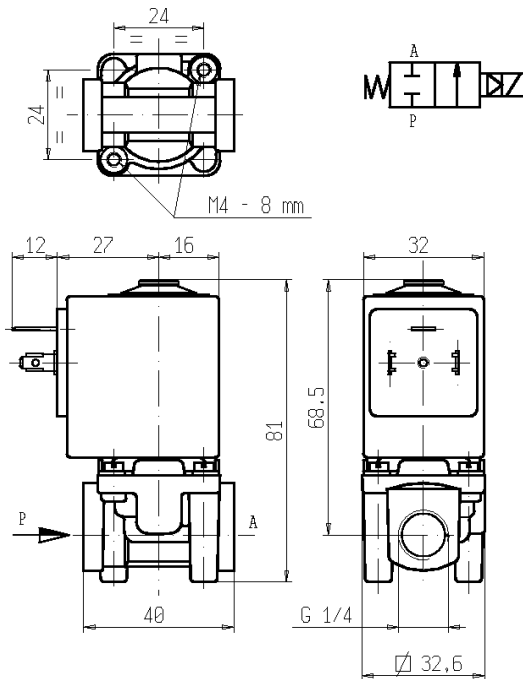




**2/2 - SOLENOID VALVE - Normally closed (N.C.)**  
**Series L127 - Coil Z530A - G 1/4**

ISO 9001

NON STANDARD



**FEATURES** – Pilot operated diaphragm “O pressure”, valve with full orifice. Designed for closed circuit hydraulic systems and for vessels draining. Suitable to shut off liquid and gaseous media compatible with the valve materials.

**MOUNTING** - In any position, vertical with coil upwards preferred.

**VALVE** - Brass body . Internal parts in stainless steel, brass and POM (acetal copolymer). Seals as per table. Medium temperature from -10°C to +90°C (NBR), from 0°C to +130°C (FPM). Viscosity max 5°E (~37cStokes or mm<sup>2</sup>/s). Opening time ~30ms. Closing time ~100ms.

**COIL** - Rated for continuous duty suitable in AC (alternate current) or DC (direct current). Coil in class “F” (+155°C) wound by class “H” wires (+180°C) vacuum impregnated by polyester resin and encapsulated into glass fibre reinforced PBT (polybutylene-terephthalate).

Ambient temperature from -10°C to +60°C.

Standard voltages 24/50Hz-110/50Hz (120/60Hz)-220/50Hz (240/60Hz)-230V/50Hz and 12-24 V DC

Voltage tolerance +10% -15% AC and +10% -5% DC.

Electric plug connection (DIN 46340) or suitable for 3 poles connectors (DIN 43650).

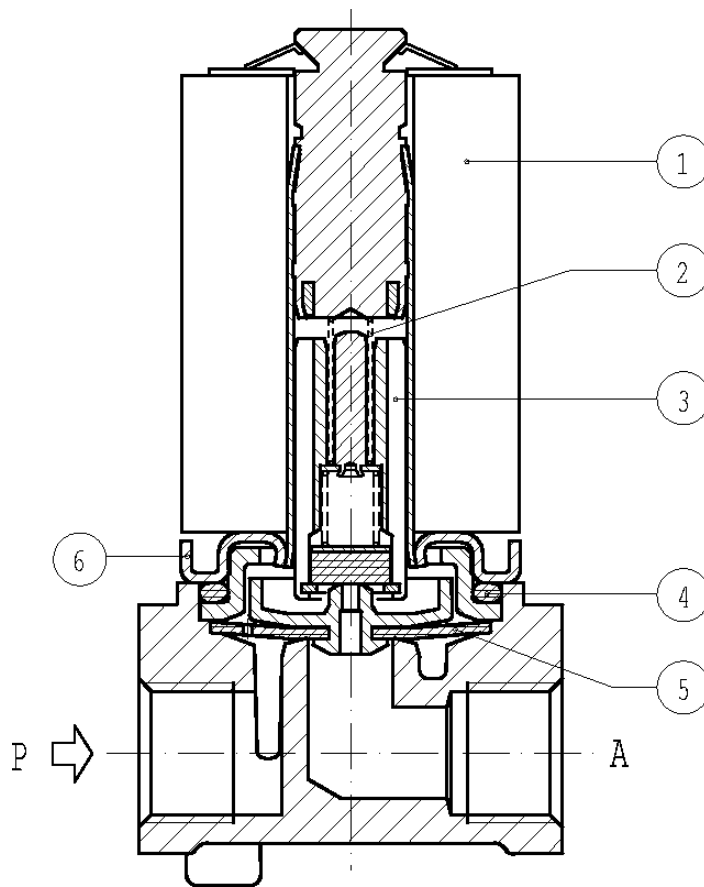
Protection degree IP65 as per EN 60529 if the coil is duly fitted with its plug connector.

Port size ISO 228	Orifice size (mm)	Min p (bar)	Max pressure (bar)				Kv (m <sup>3</sup> /h)	Series and type		Power absorption			Seals	Notes	Weight (kg)
			Gases		Liquids			Valve	Coil	AC (VA)		DC (W)			
			AC	DC	AC	DC				Inrush	Holding				
G 1/4	8	0	10	10	10	10	0,80	L127B4	Z530A	23	14	9	NBR	-	0,365
								L127V4							

**NOTES** - Seal: NBR = Nitrile-butylene elastomer. FPM = Fluoro-carbon elastomer  
 - Other voltages and frequencies on request.

# SPARE PARTS

## Series L127



### Kit Description

### Kit P.N.

### Consisting of:

Diaphragm assembly kit L127B4 L127V4	G2723201 G2723202	OR guide assembly pos. 4 Diaphragm assembly pos. 5
Core kit L127B4 L127V4	G2723301 G2723302	Core return spring pos. 2 Core pos. 3 OR guide assembly pos. 4
Core return spring kit	G2718701	N. 10 Core return spring pos. 2
OR Guide assembly kit OR Guide assembly kit	GU2421000059 GU2424000059	N. 10 OR guide assembly pos. 4 N. 10 OR guide assembly pos. 4
Guide pipe assembly	2604401	Guide pipe assembly pos. 6
Coil Z530A		Coil pos. 1

NB - THE VALIDITY OF REPORTED DATA IS REFERRED TO THE DATE OF ISSUE. POSSIBLE UPDATING ARE AVAILABLE ON REQUEST