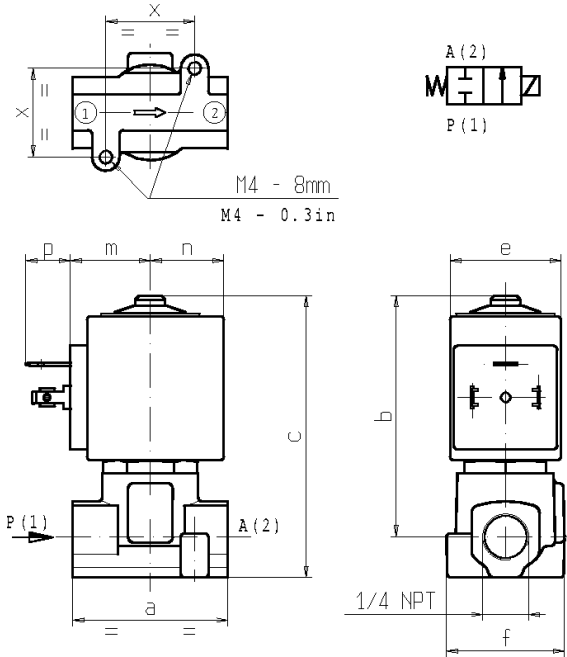




# L121V03

## 2/2 - SOLENOID VALVE - Normally closed (N.C.) Series L121 - Coil Z030A - Z030E - NPT 1/4

ISO 9001



	a	b	c	e	f	m	n	p	x
in	1.65	2.57	3	1.18	1.26	0.85	0.78	0.47	0.94
mm	42	65.2	76.2	30	32	21.6	19.9	12	24

**FEATURES** - Direct acting solenoid valve, suitable to shut off liquid and gaseous media compatible with the valve materials.

**MOUNTING** - In any position, vertical with coil upwards preferred.

**VALVE** - Brass body. Internal parts in stainless steel. Seals as per table. Medium temperature from 32°F to 266°F. Max viscosity  $\sim 3.98 \times 10^{-4}$  ft<sup>2</sup>/sec ( $\sim 37$ cStokes or mm<sup>2</sup>/s, 5° E). Opening time  $\sim 20$ ms. Closing time  $\sim 20$ ms.

**COIL** - Rated for continuous duty in AC (alternate current) or DC (direct current). Coil in class "F" (311°F) wound by class "H" wires (+365°F) vacuum impregnated by polyester resin and encapsulated into glass fibre reinforced PBT (polybutylene-terephthalate).

Ambient temperature from 14°F to 140°F

Standard voltages 24/50Hz-110/50Hz (120/60Hz)-230V/50Hz and 12-24 V DC.

Voltage tolerance +10% -15% AC and +10% -5% DC

Electric plug connection (DIN 46340) or suitable for 3 poles connectors (DIN 43650).

Protection degree IP65 as per EN 60529 if the coil is duly fitted with its plug connector.

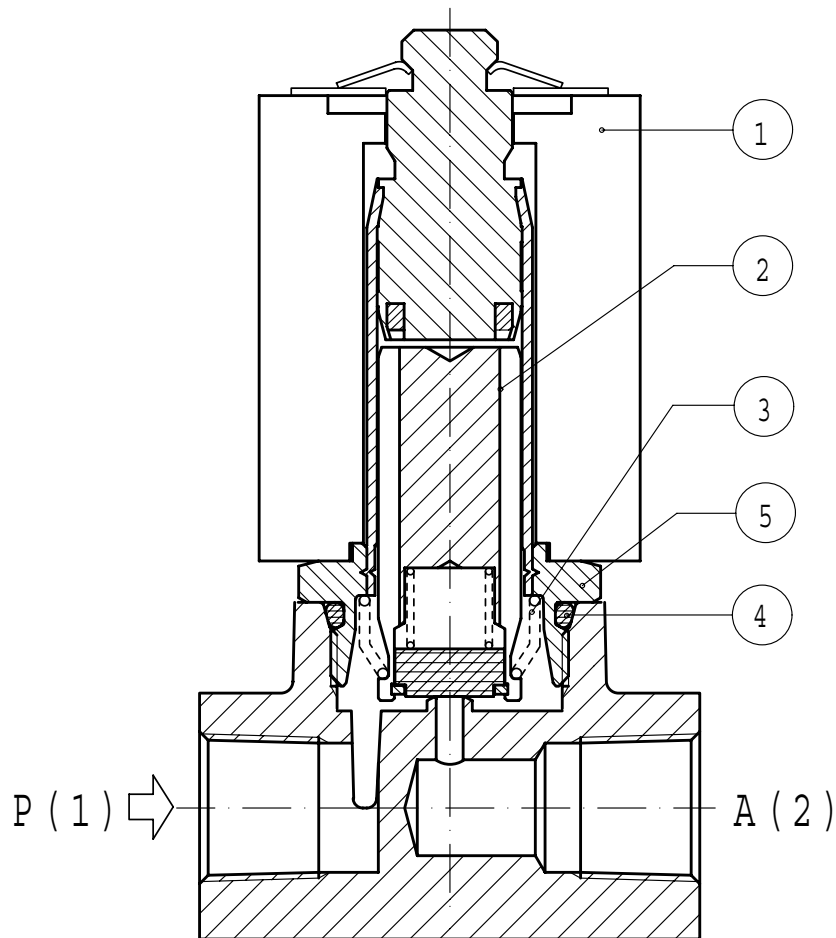
NON STANDARD

Port size NPT	Orifice size (ins.)	Pressure differential (psi)				Cv (GPM)	Series and type		Power absorption			Seals	Notes	Weight (lbs)	
		$\Delta P$ min	$\Delta P$ max				Valve	Coil	AC (VA)		DC (W)				
			Gases		Liquids				Inrush	Holding					
			AC	DC	AC										DC
1/4	1/16		435	435	435	435	L121V03	ZA30A	23	14	9	FPM	1	0.66	
	3/32		290	232	290	232									
	1/8		174	58	174	58									
			-	101	-	101									

**NOTES** - Seal: FPM=Fluoro-carbon elastomer  
- Other voltages and frequencies on request.

## SPARE PARTS

### Séries L121V03



NON STANDARD

#### Kit description

#### Kit P.N.

#### Consisting of :

Core kit	G3022803	Core pos. 2
Core spring kit	G3022401	N. 10 Core return springs pos. 3
OR for guide assembly	GU2424000017	N° 10 Guide group OR pos. 4
Guide pipe assembly	3008301	Guide pipe assembly pos. 5
Coil ZA30A ZA30E		Coil pos. 1

NB - THE VALIDITY OF REPORTED DATA IS REFERRED TO THE DATE OF ISSUE. POSSIBLE UPDATING ARE AVAILABLE ON REQUEST