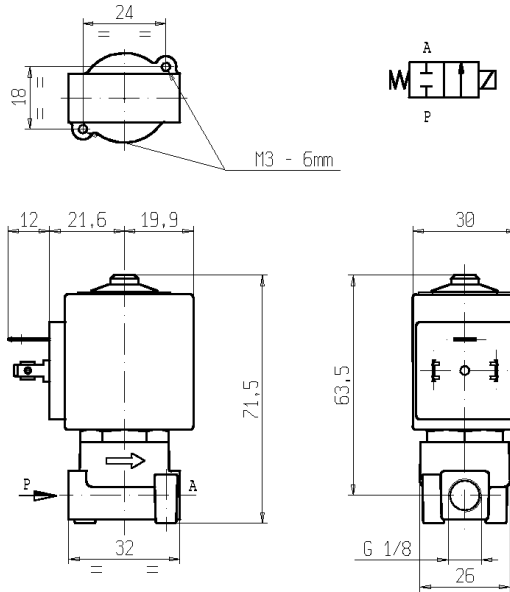




L120

2/2 - SOLENOID VALVE - Normally closed (N.C.) Series L120 - Coil ZA30A - G 1/8

ISO 9001



FEATURES - Direct acting solenoid valve, suitable to shut off liquid and gaseous media compatible with the valve materials.

MOUNTING - In any position, vertical with coil upwards preferred.

VALVE - Brass body. Internal parts in stainless steel. Seals as per table. Models with seat in stainless steel. Medium temperature from -10°C to +170°C (RUBY), from 0°C +130°C(FPM). Viscosity max 5°E (~37cStokes or mm²/s). Opening time ~20ms. Closing time ~20ms.

COIL - Rated for continuous duty in AC (alternate current) or DC (direct current). Coil in class "F" (+155°C) wound by class "H" wires (+180°C) vacuum impregnated by polyester resin and encapsulated into glass fibre reinforced PBT (polybutylene-terephthalate).

Ambient temperature from -10°C to +50°C

Standard voltages 24/50Hz-110/50Hz (120/60Hz)-220/50Hz (240/60Hz)-230V/50Hz and 12-24 V DC.

Voltage tolerance +10% -15%. AC and +10% -5% DC

Electric plug connection (DIN 46340) or suitable for 3 poles connectors (DIN 43650).

Protection degree IP65 as per EN 60529 if the coil is duly fitted with its plug connector.

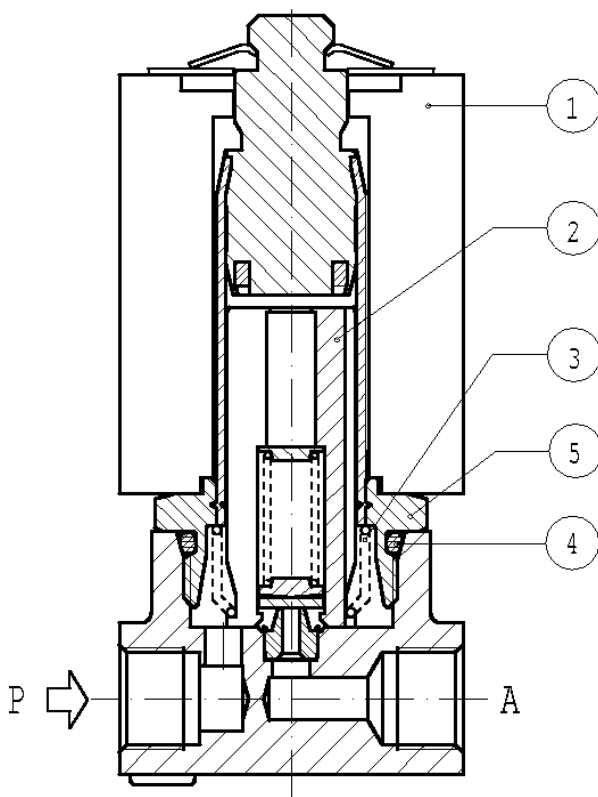
Port size ISO-228	Orifice size (mm)	Max pressure (bar)				Kv (m ³ /h)	Series and type		Power absorption			Seals	Notes	Weight (kg)	
		Gases		Liquids			Valve	Coil	AC (VA)		DC (W)				
		AC	DC	AC	DC				Inrush	Holding					
G 1/8	1,6	30	20	30	20	0,09	L120C01	ZA30A	23	14	9	RUBY	1-2-3	0,270	
	2,3	20	10	20	10	0,15									
	1,6	30	30	30	30	0,09	L120V02						FPM		3
	2,3	20	16	20	16	0,15									

- NOTES**
- Seal: RUBY=Synthetic corundum. FPM=Fluoro-carbon elastomer
 - The use of rigid sealings with gaseous fluids implies a slight leakage, generally limited with in 2 scc/min at 1 bar pressure.
 - Other voltages and frequencies on request.
 - 1 - Solenoid valve with stainless steel seat, suitable for overheated water and steam up to 170°C (maximum pressure 8 bar).
 - 2 - On request coil ZA34A PPS (polyphenylene-sulfide) class "H" (+180°C), ambient temperature +80°C.
 - 3 - Gasket between core armature and body in FPM.

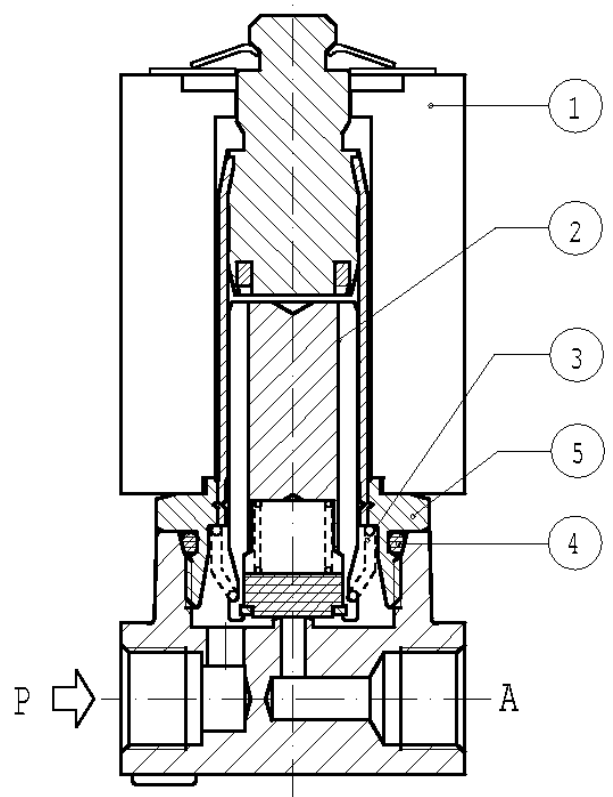
SPARE PARTS

Series L120

L120 C01



L120 V02



Kit description

Core kit L120C01
L120V02

Core spring kit L120C01
L120V02

OR for guide assembly

Guide pipe assembly

Coil ZA30A
ZA30E

Kit P.N.

G3008801
G3022803

G3018901
G3022401

GU2428000017

3008301

Consisting of :

Core pos. 2

N. 10 Core return springs pos. 3

N° 10 Guide group OR pos. 4

Guide pipe assembly pos. 5

Coil pos. 1

NB - THE VALIDITY OF REPORTED DATA IS REFERRED TO THE DATE OF ISSUE. POSSIBLE UPDATING ARE AVAILABLE ON REQUEST