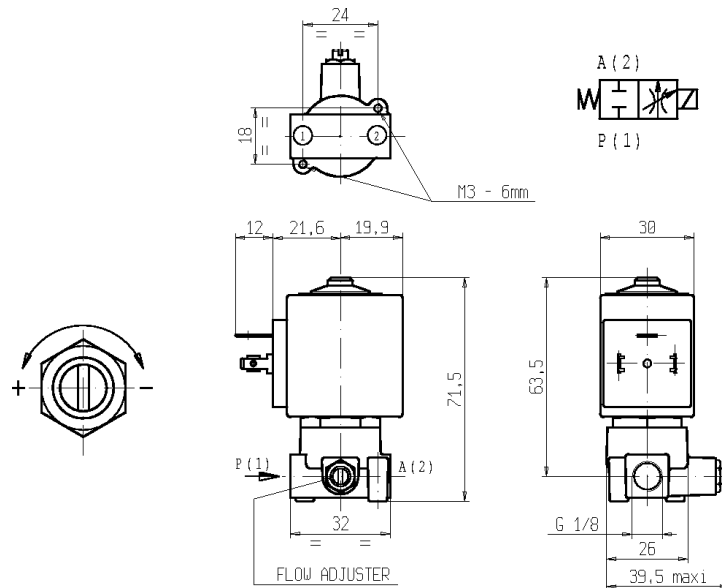




L120V03

2/2 - SOLENOID VALVE - Normally closed (N.C.)
Series L120V03 - Coil ZA30A - G 1/8

ISO 9001



NON STANDARD

FEATURES - Direct acting solenoid valve fitted with metering device adjusting flow between 10% and 100%: multi-turns adjustment. Small body size. Suitable to shut off liquid and gaseous media compatible with the valve materials.

MOUNTING - In any position, vertical with coil upwards preferred.

VALVE - Body in chemically nickel plated brass (Ni-P). Internal parts in stainless steel. Seals as per table. Medium temperature from 0°C +130°C. Viscosity max 5°E (~37cStokes or mm²/s). Opening time ~20ms. Closing time ~20ms.

COIL - Rated for continuous duty in AC (alternate current) or DC (direct current). Coil in class "F" (+155°C) wound by class "H" wires (+180°C) vacuum impregnated by polyester resin and encapsulated into glass fibre reinforced PBT (polybutylene-terephthalate). Ambient temperature from -10°C to +50°C

Standard voltages 24V/50Hz-110V/50Hz (120V/60Hz)-220V/50Hz (240V/60Hz)-230V/50Hz and 12-24V DC.

Voltage tolerance +10% -15% AC and +10% -5% DC

Electric plug connection (DIN 46340) or suitable for 3 poles connectors (DIN 43650).

Protection degree IP65 as per EN 60529 if the coil is duly fitted with its plug connector.

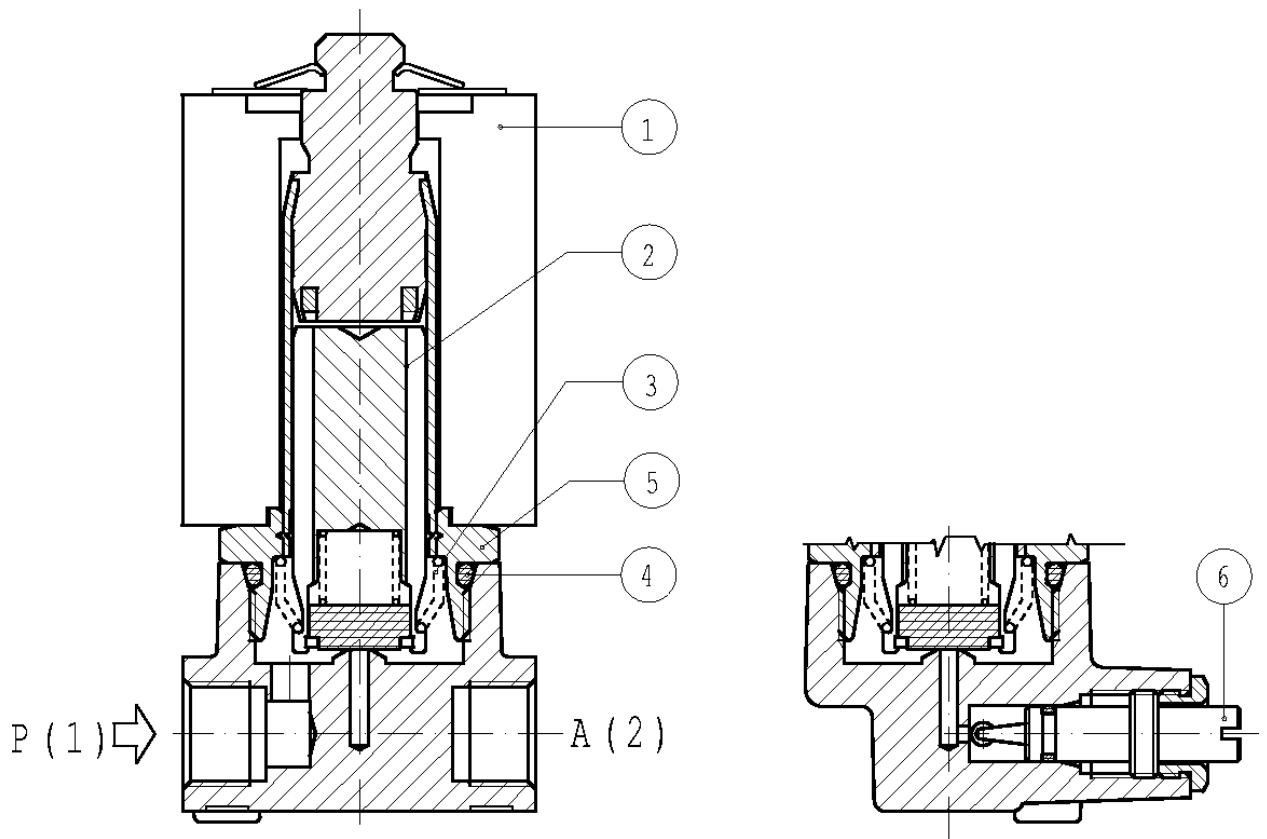
Port size ISO 228	Orifice size (mm)	Max pressure (bar)				Kv (m ³ /h)	Series and type		Power absorption			Seals	Notes	Weight (kg)
		Gases		Liquids			Valve	Coil	AC (VA)		DC (W)			
		AC	DC	AC	DC				Inrush	Holding				
G 1/8	1,6	30	30	30	30	0,045	L120V03	ZA30A	23	14	9	FPM	-	0,270

NOTES

- Seal: FPM=Fluoro-carbon elastomer
- Other voltages and frequencies on request.

SPARE PARTS

Séries L120V03



NON STANDARD

Kit description

Core kit	G3022803
Core spring kit	G3022401
OR for guide assembly	GU242400017
Flow adjuster kit	G3046201
Guide pipe assembly	3008301
Coil ZA30A	

Kit P.N.

Consisting of :

Core pos. 2
N. 10 Core return springs pos. 3
N° 10 Guide group OR pos. 4
Flow adjuster pos. 6
Guide pipe assembly pos. 5
Coil pos. 1

NB - THE VALIDITY OF REPORTED DATA IS REFERRED TO THE DATE OF ISSUE. POSSIBLE UPDATING ARE AVAILABLE ON REQUEST