



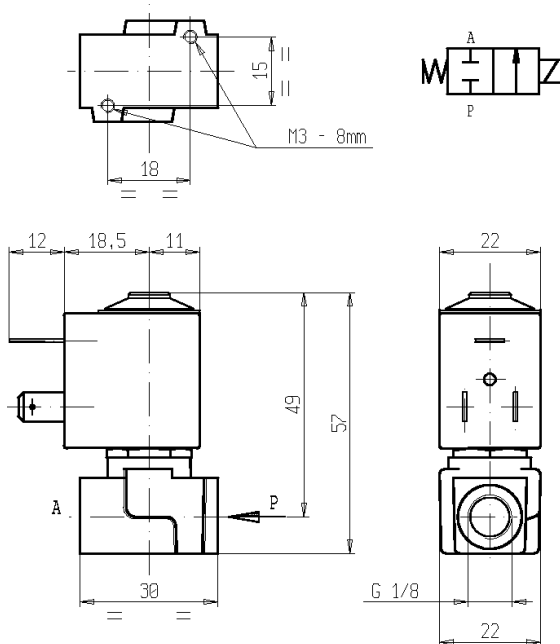
2/2 - SOLENOID VALVE - Normally closed (N.C.)

Series **L114** - Coil Z830A - G 1/8

Proportional model

ISO 9001

NON STANDARD



FEATURES - Direct acting solenoid valve, suitable to shut off liquid and gaseous media compatibles with valve materials. Proportional control of the media output through voltage change. The proportional response feature (flow rate/voltage) can be calibrated by the manufacturer in order to satisfy different applications. In the charts overleaf the features of the standard valves are indicated.

MOUNTING - In any position, vertical with coil upwards preferred.

VALVE - Brass body. Internal parts in stainless steel and brass. Calibration as per table. Medium temperature from -10°C to +140°C. Viscosity max 5°E (~37 cStokes or mm²/s).

COIL - Rated for continuous duty only in DC (direct current). Coil in class "F" (+155°C) wound by class "H" wires (+180°C) vacuum impregnated by polyester resin and encapsulated into fibre reinforced PBT (polybutylene-terephthalate). Ambient temperature from -10°C to +60°C.

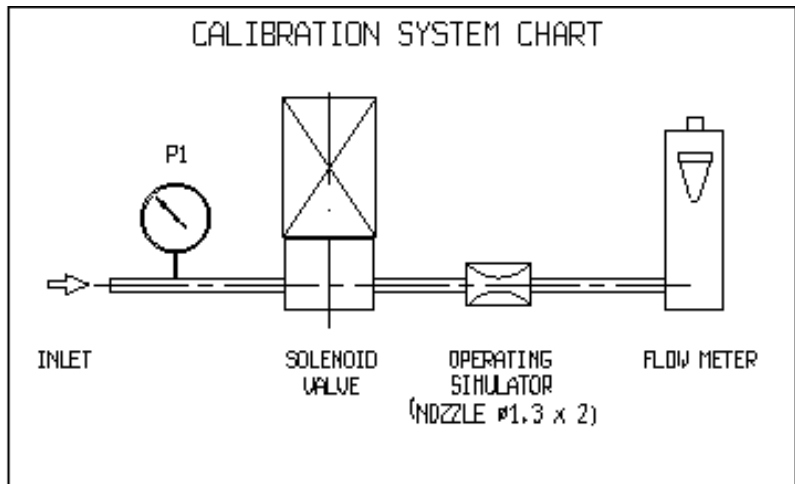
Standard voltage 24 V. DC.

Electric plug connection (DIN46340) or suitable for 3 poles connectors.

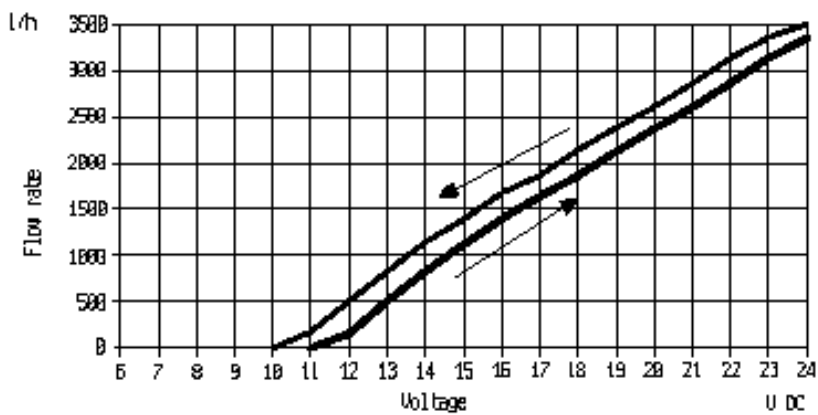
Protection degree IP65 as per EN 60529 if the coil is duly fitted with its plug connector.

Port size ISO 228	Orifice size (mm)	Pressure (bar)		Kv (m ³ /h)	Series and type		Power absorption			Seals	Notes	Weight (kg)
		Min	Max		Valve	Coil	AC (VA)		DC (W)			
							Inrush	Holding				
G 1/8	2,2	0	6	0,11	L114 D2	Z830A	-	-	6	EPDM	-	0,145
		0	4,5		L114 D3							

NOTES - Seal: EPDM = Ethylene-propylene elastomer.
- Other calibration pressures on request.

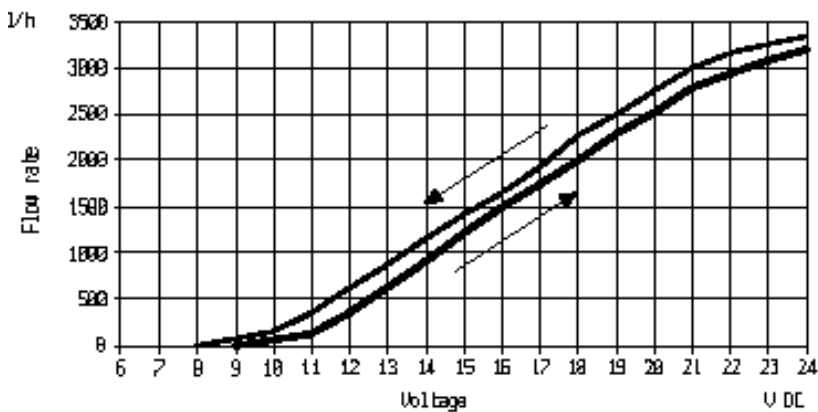


L114D2 P1 – 5 bar dehumidified and not lubricated air



Voltage tolerance at start and end opening = ± 1 V DC - Hysteresis tolerance = $\pm 0,5$ V. DC

L114D3 P1 - 3,5 bar dehumidified and not lubricated air



Voltage tolerance at start and end opening = ± 1 V DC - Hysteresis tolerance = $\pm 0,5$ V. DC