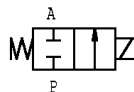
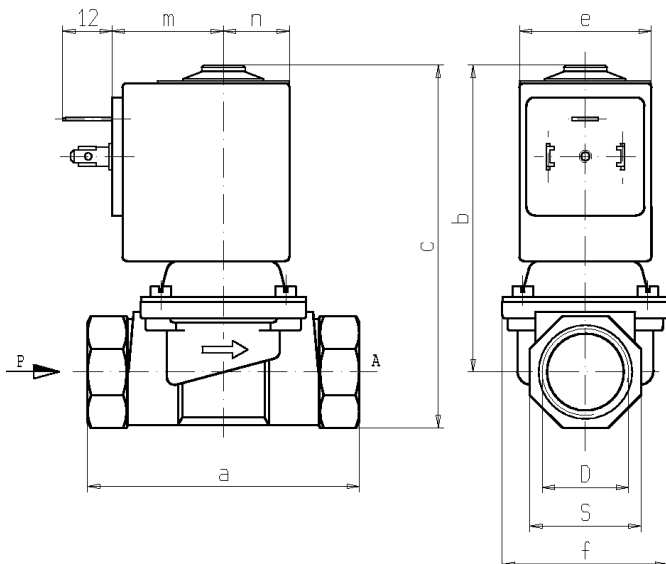




## 2/2 - SOLENOID VALVE - Normally closed (N.C.)

Series **L113** - Coil Z530A - Z110A - G 1/2 - 3/4

ISO 9001



D	a	b	c	e	f	m	n	s
G1/2	66	74,5	88	32	40	27	16	27
G3/4	79	82	98,5	42	51	28	21	33

**FEATURES** - Direct acting solenoid valves with full orifice for low pressures, made in different models. Suitable to shut off liquid and gaseous media compatible with the valve materials, designed for fuel-gases.

**MOUNTING** - In any position, vertical with coil upwards preferred.

**VALVE** - Brass body. Internal parts in stainless steel and brass. Seals as per table. Medium temperature from -10°C to +90°C (NBR), from 0°C to +130°C (FPM). Viscosity max 5°E (~37cStokes or mm<sup>2</sup>/s). Opening time ~30ms. Closing time ~30ms.

**COIL** - Rated for continuous duty in AC (alternate current) or DC (direct current). Coil in class "F" (+155°C) wound by class "H" wires (+180°C) vacuum impregnated by polyester resin and encapsulated into glass fibre reinforced PBT (polybutylene-terephthalate).

Ambient temperature from -10°C to +60°C.

Standard voltages 24/50Hz-110/50Hz (120/60Hz)-220/50Hz (240/60Hz)-230V/50Hz and 12-24 V DC.

Voltage tolerance +10% -15% AC and +10% -5% DC.

Electric plug connection (DIN 46340) or suitable for 3 poles connectors (DIN 43650).

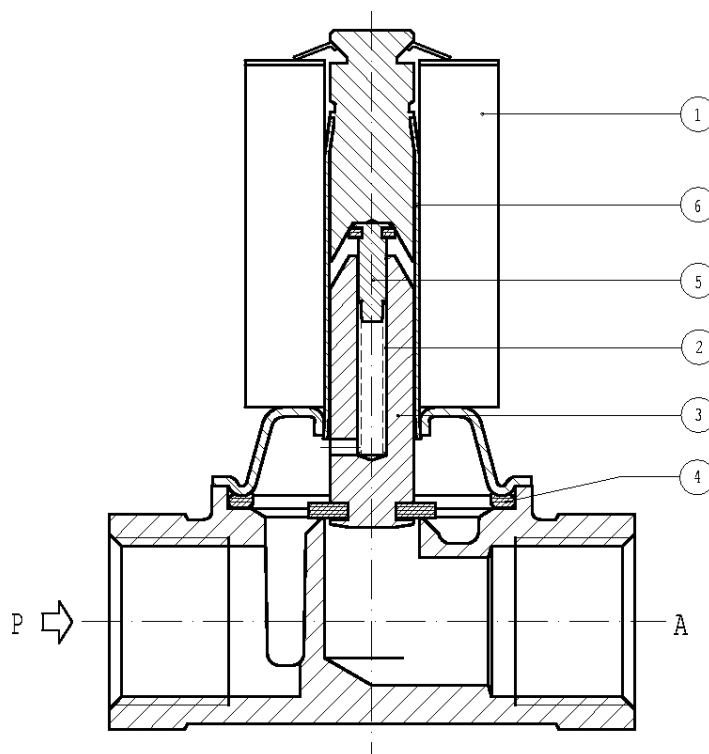
Protection degree IP65 as per EN 60529 if the coil is duly fitted with its plug connector.

Port size ISO 228	Orifice size (mm)	Max pressure (bar)				Kv (m <sup>3</sup> /h)	Series and type		Power absorption			Seals	Notes	Weight (kg)
		Gases		Liquids			Valve	Coil	AC (VA)		DC (W)			
		AC	DC	AC	DC				Inrush	Holding				
G 1/2	12	0,30	-	0,30	-	2,1	L113B14	Z530A	23	14	-	NBR	-	0,450
							L113V14					FPM		
		-	0,20	-	0,20		L113B18		9	NBR	1			
							L113V18			FPM				
G 3/4	19	0,20	-	0,20	-	4,8	L113B19	Z110A	44	24	-	NBR	-	0,710

**NOTES** - Seal: NBR = Nitrile-butylene elastomer FPM = Fluoro-carbon elastomer  
 - Other voltages and frequencies on request.  
 1 - Silent model; only for direct current (DC).

## SPARE PARTS

### Series L113



#### Kit Description

#### Kit P.N.

#### Consisting of:

Core kit L113B19	G2654301	Core return spring pos. 2 Core assembly pos. 3 OR guide assembly pos. 4
Core kit L113B14	G2578101	Core return spring pos. 2 Core assembly pos. 3 OR guide assembly pos. 4
Core kit L113V14	G2613101	Core return spring pos. 2 Core assembly pos. 3 OR guide assembly pos. 4
Core kit L113B18	G2781801	Core return spring pos. 2 Core assembly pos. 3 OR guide assembly pos. 4 Push-rod pos.5
Core kit L113V18	G2781802	Core return spring pos. 2 Core assembly pos. 3 OR guide assembly pos. 4 Push-rod pos.5
Guide pipe assembly L113B14-V14	2549101	Guide pipe assembly pos. 6
Guide pipe assembly L113B18-V18	2722901	Guide pipe assembly pos. 6
Guide pipe assembly L113B19	2820401	Guide pipe assembly pos. 6
Coil Z530A L113B14-B18-V14-V18		Coil pos. 1
Coil Z110A L113B19		Coil pos. 1

NB - THE VALIDITY OF REPORTED DATA IS REFERRED TO THE DATE OF ISSUE. POSSIBLE UPDATING ARE AVAILABLE ON REQUEST