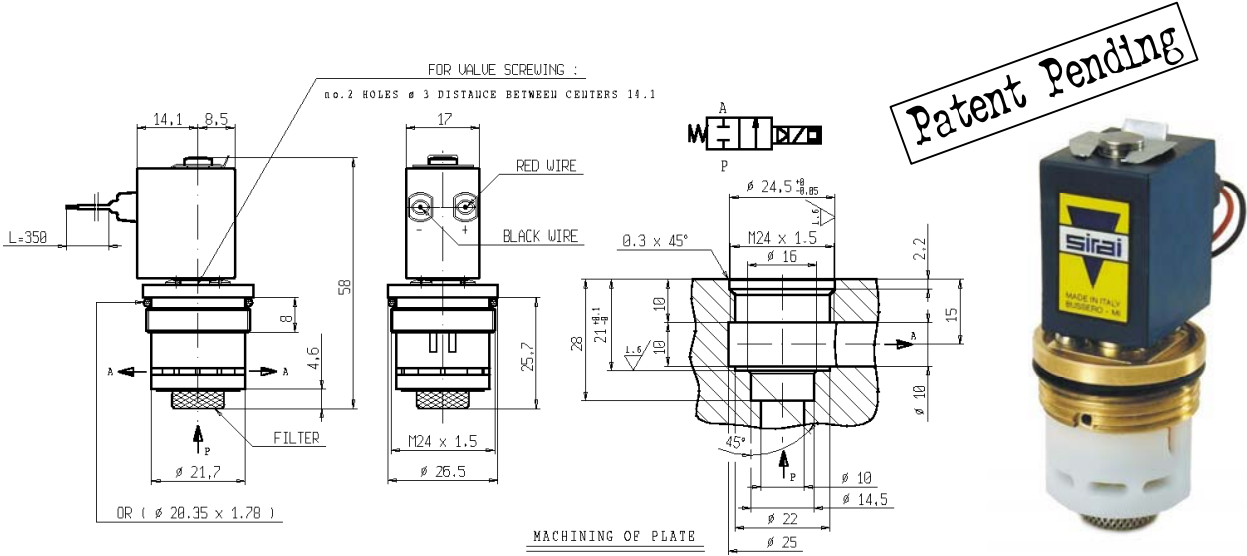




**2/2 - SOLENOID VALVE - Normally closed (N.C.)**  
**Series L112Q01 - Coil Z075M**

**L112Q01**  
**Latching model**

**ISO 9001**



**FEATURES** - Pilot operated solenoid valve with full orifice. Small body size. Suitable to shut off water and others liquid and gazeous media compatible with the valve materials. Plug-in version suitable to be installed into electronically controlled faucets. Minimum operating pressure is needed.

**MOUNTING** - In any position, vertical with coil upwards preferred.

**VALVE** - Body in brass and POM (acetal copolymer), with filter fitted on the inlet port (P). Both guide assembly in brass and core in stainless steel are chemically nickel plated (Ni-P). Others internal parts in brass and stainless steel. Seals as per table. Medium temperature from -10°C to +90°C. Viscosity max 5°E (~37cStokes or mm<sup>2</sup>/s). Opening time ~30ms. Closing time ~50ms.

**COIL** - Latching model, polarized type only in DC (direct current). Operated by impulses: minimum energizing time 20ms. Coil in class "A" (+105°C) wound by class "H" wires (+180°C) vacuum impregnated by polyester resin and encapsulated in PP-V0 (self-extinguishing Polypropylene). Ambient temperature from -10°C to +60°C. Standard voltages 6-12 V DC. Voltage tolerance +10% -10%. Electric plug connection : N° 2 wires AWG 24 lenght 350mm. Protection degree IP66 as per EN 60529.



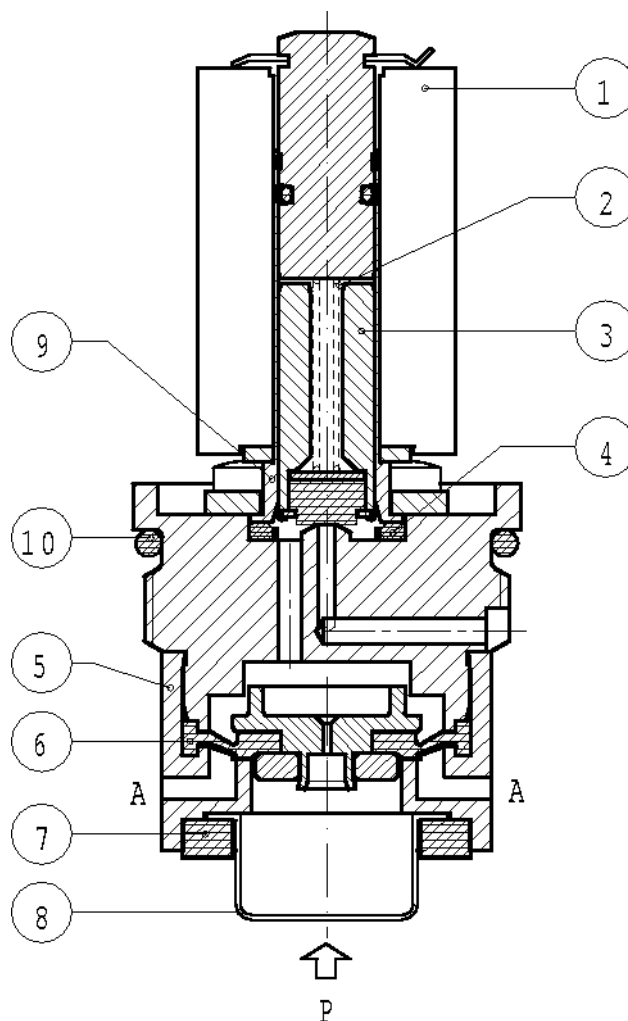
Port size ISO R262	Orifice size (mm)	P Min bar	Max pressure (bar)				Kv (m <sup>3</sup> /h)	Series and type		Power absorption			Seals	Notes	Weight (kg)
			Gases		Liquids			Valve	Coil	AC (VA)		DC (W)			
			AC	DC	AC	DC				Inrush	Holding				
M24 x 1,5	10	0,5	-	8	-	8	0,5	L112Q01	Z075M	-	-	1,2	NBR	-	0,090

**NOTES** - Seal: NBR = Special nitrile-butylene elastomer (compound homologated WRAS)  
 - Other voltages on request.

**NON STANDARD**

## SPARE PARTS

### Séries L112Q01



NON STANDARD

Kit description	Kit P.N.	Consisting of :
Core kit	G3053901	Core pos. 3 OR guide assembly pos. 4
Core return spring kit	G2786401	N.10 Core return springs pos. 2
Diaphragm kit	G3054201	Lower body pos. 5 Diaphragm pos. 6
Filter kit	G3054301	Filter pos. 8 Gasket pos. 7
OR guide assembly kit	GU2436000149	N.10 OR guide assembly pos. 4
OR body kit	GU2436000019	N.10 OR body kit pos. 10
Guide pipe assembly	2972201	Guide pipe assembly pos. 9
Coil      Z075M		Coil pos. 1

NB - THE VALIDITY OF REPORTED DATA IS REFERRED TO THE DATE OF ISSUE. POSSIBLE UPDATING ARE AVAILABLE ON REQUEST