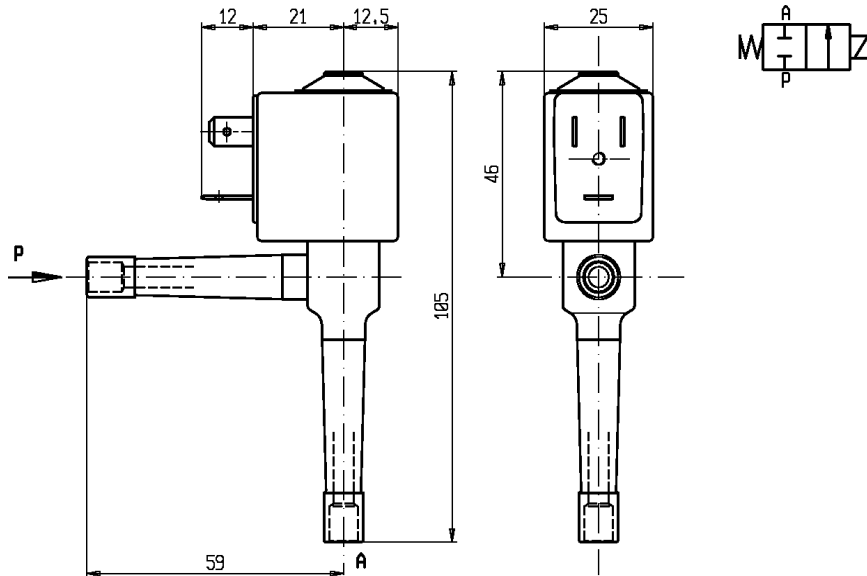




2/2 - SOLENOID VALVE - Normally closed (N.C.)
Series L104 - Coil Z610A

ISO 9001

NON STANDARD



FEATURES - Direct acting solenoid valve, designed to shut off refrigerating media compatible with the valve materials. Connections to be welded to copper pipes having outside diameter 6,35 mm.

MOUNTING - In any position, vertical with coil upwards preferred. Valves and coils are supplied separate to allow the pipes welding: during this operation, the central part of the body must not exceed 100°C.

VALVE - Hermetic construction completely braze welded. Brass body. Internal parts in stainless steel. Seals as per table. Medium temperature from -10°C to +90°C. Viscosity max 5°E (~37cStokes or mm²/s). Opening time ~20ms. Closing time ~20ms.

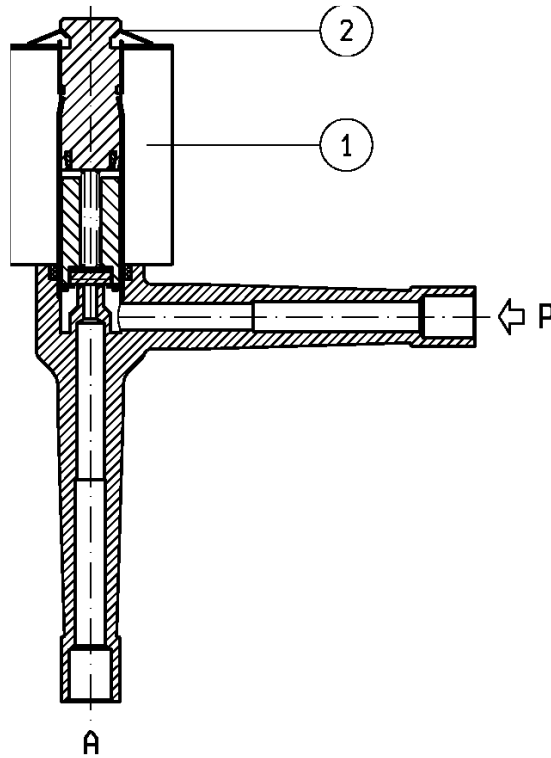
COIL - Rated for continuous duty, only in AC (alternate current 50-60Hz). Coil in class "F" (+155°C) wound by class "H" wires (+180°C) vacuum impregnated by polyester resin and encapsulated into glass fibre reinforced PBT (polybutylene-terephthalate). Ambient temperature from -10°C to +60°C. Standard voltages 24-110-220-230/50-60Hz. Voltage tolerance +10% -15%. Electric plug connection (DIN 46340) or suitable for 3 poles connectors. Protection degree IP65 as per EN 60529 if the coil is duly fitted with its plug connector.

Port size	Orifice size (mm)	Max pressure (bar)				Kv (m ³ /h)	Series and type		Power absorption			Seals	Notes	Weight (kg)
		Gases		Liquids			Valve	Coil	AC (VA)		DC (W)			
		AC	DC	AC	DC				Inrush	Holding				
-	2	15	-	15	-	0,16	L104N2	Z610A	16	10	-	CR	1	0,160

NOTES - Seal: CR = Neoprene elastomer.
 - Other voltages and frequencies on request.
 1 - The maximum pressure value indicated is valid for 50Hz. For operation at 60Hz maximum pressure value = 12 bar.

SPARE PARTS

Series L104



Kit Description

Clip

Coil Z610

Kit P.N.

U2380000008

Consisting of:

Clip pos.2

Coil pos.1

NB - THE VALIDITY OF REPORTED DATA IS REFERRED TO THE DATE OF ISSUE. POSSIBLE UPDATING ARE AVAILABLE ON REQUEST