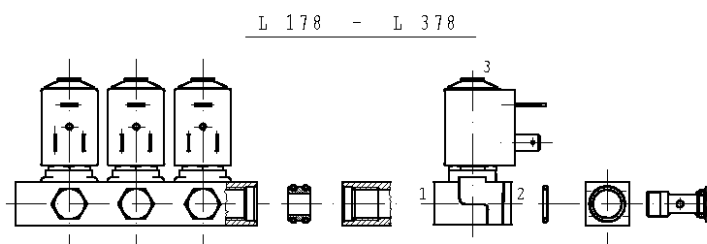
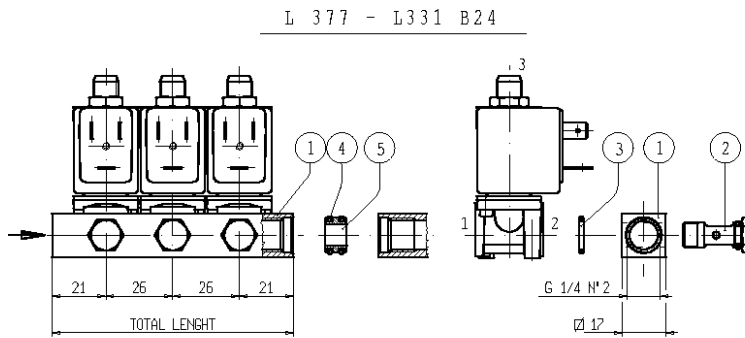




EXAMPLE OF MANIFOLD MOUNTING
L178 (2/2 NC) - L377 - L378 (3/2 NC) - L331B24 (3/2 NO)

ISO 9001



MODULES PLACES N°	2	3	4	5	6	7	8	9	10
TOTAL LENGTH	68	94	120	146	172	198	224	250	276

FEATURES - Multiple manifold in anodized light alloy. Gaskets in NBR (Nitrile-butylene elastomer). Connecting adaptor and screw plug in brass.

MOUNTING - Once established the quantity of valves the necessary multiple manifold can be assembled accordingly, as manifolds from 2 to 10 places are available. Each manifold is supplied with fixing screws plus OR gasket. For more manifolds connection, connecting adaptors are supplied separately.

MANIFOLDS AND FITTING		
DESCRIPTION	P.N.	CONSISTING OF:
2 PLACES MANIFOLD	G2306802	MANIFOLD POS. 1 SCREW GROUP POS. 2 OR FOR VALVE POS.3 N.B. - THE QUANTITY OF POS. 2 AND 3 DEPENDS ON MANIFOLD PLACES
3 PLACES MANIFOLD	G2306803	
4 PLACES MANIFOLD	G2306804	
5 PLACES MANIFOLD	G2306805	
6 PLACES MANIFOLD	G2306806	
7 PLACES MANIFOLD	G2306807	
8 PLACES MANIFOLD	G2306808	
9 PLACES MANIFOLD	G2306809	
10 PLACES MANIFOLD	G2308910	
SCREW GROUP KIT	G2306801	
CONNECTING ADAPTOR KIT	G2352901	N. 2 OR SEAL POS. 4 CONNECTING ADAPTOR POS. 5

N.B. The common inlet allows the simultaneous operation of max 12 valves L377-L378-L331B24 and of max 8 valves L178. For simultaneous operation of higher number of valves ask for information.

NB - THE VALIDITY OF REPORTED DATA IS REFERRED TO THE DATE OF ISSUE. POSSIBLE UPDATING ARE AVAILABLE ON REQUEST