



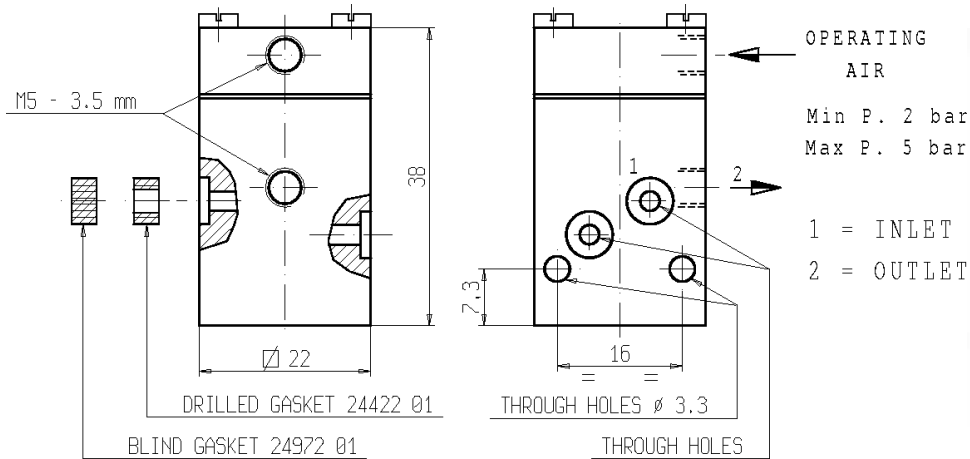
2/2 - PNEUMATIC VALVE FOR MOUNTING IN BANKS

H2520501

Normally closed (N.C.)

Series **H2520501**

ISO 9001



FEATURES - Diaphragm pneumatic valve, air operated, minimum overall dimensions. Designed to shut off liquid and gaseous media compatible with the valve materials. Suitable for mounting in banks to get different groups with common inlet and single independent outlets. Inlet and closing groups supplied separately. Seal gaskets for coupling supplied with the valve. A through hole on the body valve allows to connect the inlet with another user (e.g. pressure reducer). This valve needs air supply rated at a minimum pressure to operate. Designed for dental equipments to shut off water as drop suction valve. When the operating air arrives, the valve opens and the water flows. When the operating air is exhausted, the valve closes; in this phase, the combined action of diaphragm and sealing plunger causes the suction of the remaining drops formed when closing. For further information see the mounting scheme K29709.

MOUNTING - For mounting in banks use connecting rods M3 (not supplied by us).

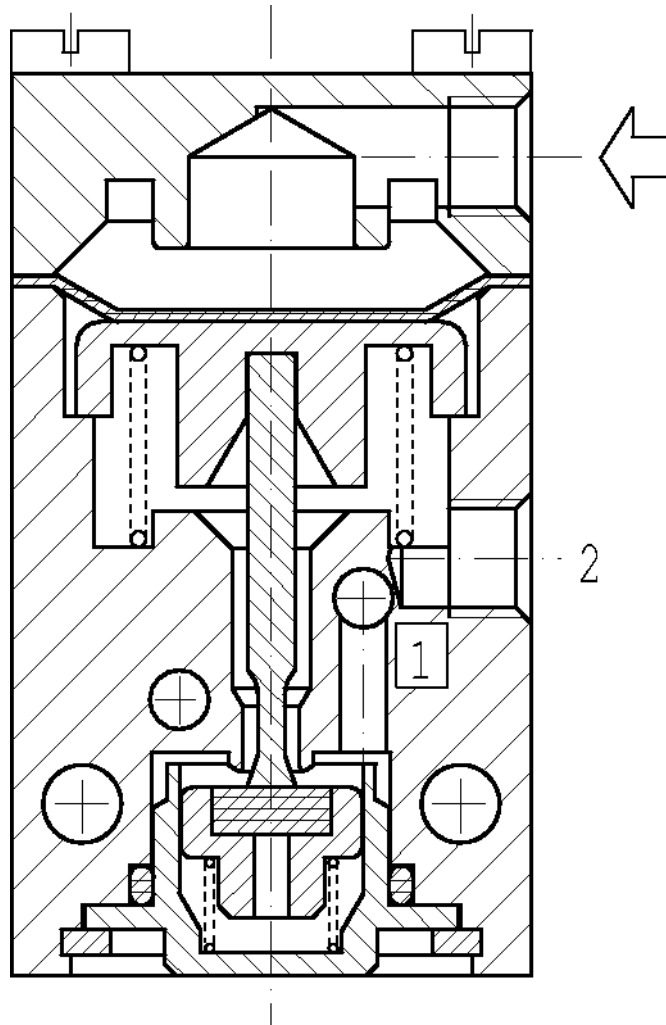
VALVE- Brass body. Internal parts in stainless steel and brass. Seal and diaphragm as per table. Medium temperature from -10°C to +90°C. Viscosity max 5°E (~22 cStokes or mm²/s).

Orifice Size (mm)	Operating air		Max P bar (with operating air at 5 bar)	Seals
	Min P bar	Max P bar		
2,4	2	5	3	NBR

NOTES - The min. and max. pressure value indicated in the table have to be understood with zero pressure downstream the valve.
 - Seal: NBR = Nitrile-butylene elastomer

SECTIONAL VIEW

Series H2520501



NB - THE VALIDITY OF REPORTED DATA IS REFERRED TO THE DATE OF ISSUE. POSSIBLE UPDATING ARE AVAILABLE ON REQUEST