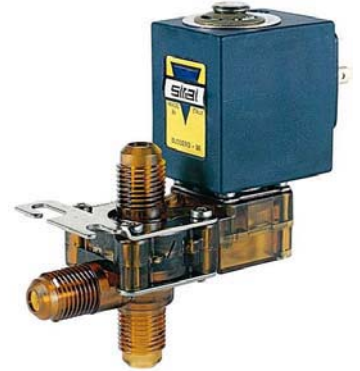
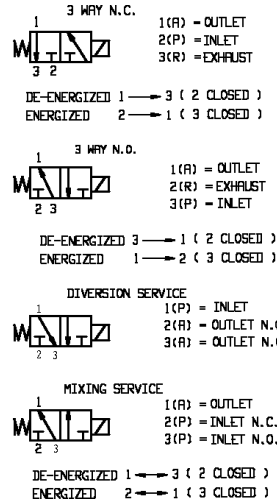
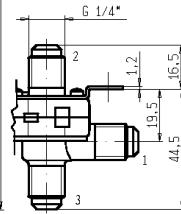
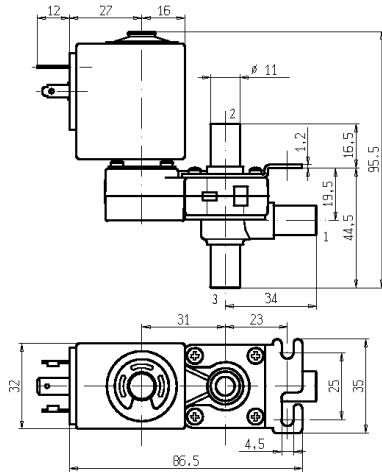




3/2 - DRY – SOLENOID VALVE - Universal service Series D344 - Coil Z530A

ISO 9001



FEATURES - Direct acting, total separation between the actuator and medium which remains in contact only with the valve body and the lever-seal. Designed to shut off liquid and gaseous media compatible with valve materials. Possibility of disassembling for inspection.

MOUNTING - In any position, vertical with coil upwards preferred.

VALVE - Moulded body in PEI (Polyetherimide). Lever seal in elastomer and connections as per table. Medium temperature from -10°C to +100°C. Viscosity max 5 E° (~37 cStokes or mm²/s). Opening time ~25ms. Closing time ~25ms.

COIL - Rated for continuous duty in AC (alternate current) or DC (direct current). Coil in class "F" (+155°C) wound by class "H" wires (+180°C) vacuum impregnated by polyester resin and encapsulated into glass fibre reinforced PBT (polybutylene-terephthalate).

Ambient temperature from -10°C to +60°C.

Standard voltages 24/50Hz-110/50Hz (120/60Hz)-230V/50Hz and 12-24 V DC

Voltage tolerance +10% -15% AC and +10% -5% DC.

Electric plug connection (DIN 46340) or for 3 poles connector (DIN 43650).

Protection degree IP65 as per EN 60529 if the coil is duly fitted with its plug connector.

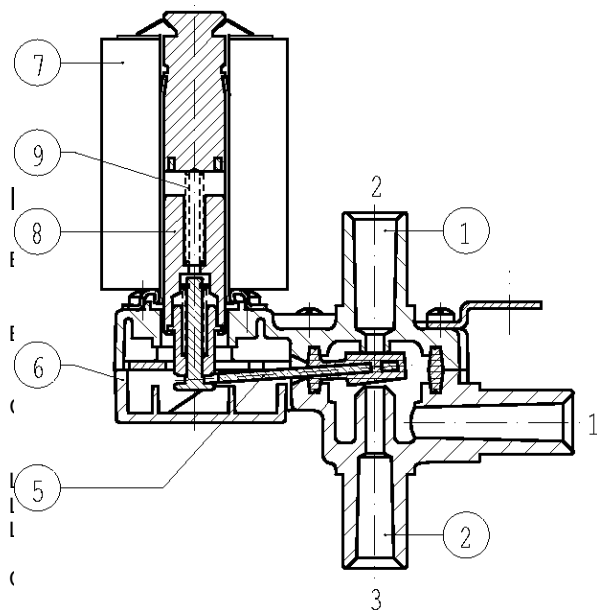
Port size G = ISO-228	Orifice size (mm)	Max pressure (bar)				Kv (m³/h)	Series and type		Power absorption			Seals	Notes	Weight (kg)
		Gases		Liquids			Valve	Coil	AC (VA)		DC (W)			
		AC	DC	AC	DC				Inrush	Holding				
Slip-on	3,2	1,5	1,5	1,5	1,5	0,28	D344D56	Z530A	23	14	9	EPDM	-	0,315
D344S56							VMQ							
D344V56							FPM							
D344D57							EPDM							
D344S57							VMQ							
D344V57							FPM							
G 1/4														

- NOTES**
- Seal: EPDM = Ethylene propylene elastomer. VMQ = Silicone elastomer. FPM = Fluoro-carbon elastomer.
 - For strong basic solutions (pH >=10), we recommend the use of the model with body encapsulated in glass fibre reinforced PPOm (modified polyphenil oxide), available on request.
 - On request and depending on quantities:
 - manual override
 - silent model (only for DC)
 - other voltages and frequencies

SPARE PARTS

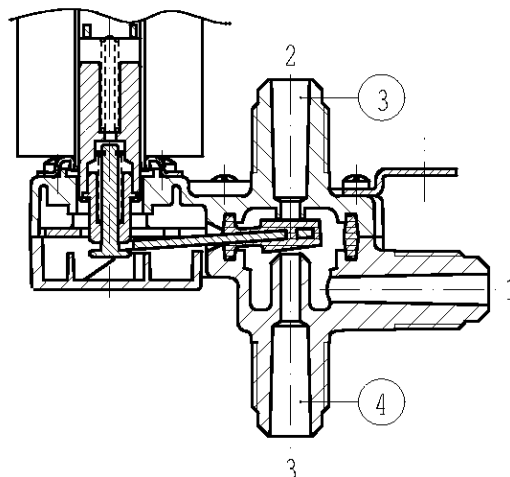
Series D344

D344D-S-V56



Coil Z530A

D344D-S-V57



Coil pos. 7

NOTE - In case of disassembling, for usual maintenance, the fixing screws have to be tightened at 0,6 Nm max torque

NB - THE VALIDITY OF REPORTED DATA IS REFERRED TO THE DATE OF ISSUE. POSSIBLE UPDATING ARE AVAILABLE ON REQUEST