

FEATURES - Direct acting, total separation between the actuator and medium which remains in contact only with the valve body and the lever-seal. Designed to shut off liquid and gaseous media compatible with valve materials. Possibility of disassembling for inspection. The parts subject to sliding friction are duly coated by PTFE -based self lubricating material. Silent model.

MOUNTING - In any position, vertical with coil upwards preferred.

VALVE - Moulded body in PEI (Polyetherimide). Lever seal in elastomer as per table Medium temperature from -10°C to +100°C . Viscosity max 5 E° (~37 cStokes or mm^2/s). Opening time ~50ms. Closing time ~25ms.

COIL - Rated for continuous duty in DC (direct current). Coil in class "F" (+155°C) wound by class "H" wires (+180°C) vacuum impregnated by polyester resin and encapsulated into glass fibre reinforced PBT (polybutylene-terephthalate).

Ambient temperature from -10°C to +60°C.

Standard voltages 12-24 V DC.

Voltage tolerance +10% -5% DC.

Electric plug connection (DIN 46340) or for 3 poles connector (DIN 43650).

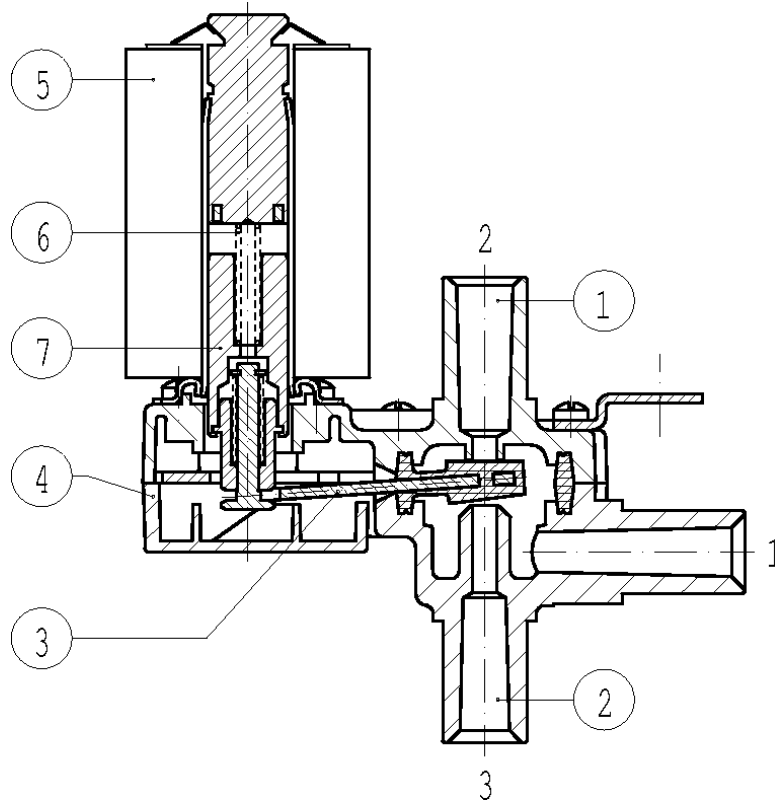
Protection degree IP65 as per EN 60529 if the coil is duly fitted with its plug connector.

Port size	Orifice size (mm)	Max pressure (bar)				Kv (m ³ /h)	Series and type		Power absorption			Seals	Notes	Weight (kg)
		Gases		Liquids			Valve	Coil	AC (VA)		DC (W)			
		AC	DC	AC	DC				Inrush	Holding				
Slip-on	3,2	-	1,5	.	1,5	0,28	D344S59	Z530A	-	-	9	VMQ	-	0,315

NOTES - Seal: VMQ = Silicone elastomer

SPARE PARTS

Series D344S59



Kit Description	Kit p.n.	Consisting of:
Body kit	G2846702	Upper body pos. 1 Lower body pos. 2
Core kit	G3043101	Core return spring pos 6. Core pos.7
Lever seal	2336306	Lever seal pos. 3
Cover	2738503	Cover pos.4
Coil Z530A		Coil pos. 5

NOTE - In case of disassembling, for usual maintenance, the fixing screws have to be tightened at 0,6 Nm max torque.

NB - THE VALIDITY OF REPORTED DATA IS REFERRED TO THE DATE OF ISSUE. POSSIBLE UPDATING ARE AVAILABLE ON REQUEST