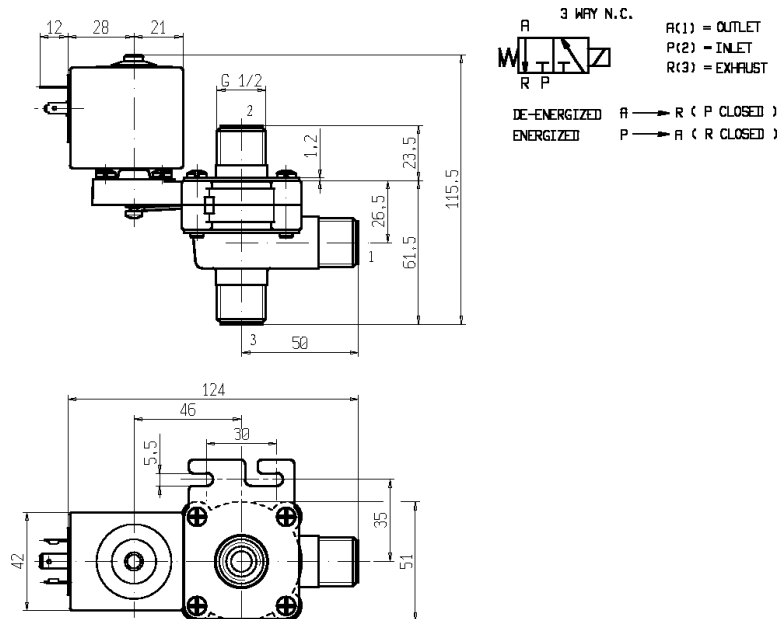




D332

2/2 – DRY – SOLENOID VALVE – Normally closed (N.C.) Series D332 – Coil Z110A – G 1/2

ISO 9001



FEATURES - Total separation between the actuator and medium which remains in contact only with the valve body and the lever-seal. Designed to shut off liquid and gaseous media compatible with valve materials. Possibility of disassembling for inspection. Possibility of manual opening. The parts subject to sliding friction are duly coated by PTFE -based self lubricating material.

MOUNTING - In any position, vertical with coil upwards preferred

VALVE - Moulded body in reinforced PPS (Polyphenylene-sulfide). Lever seal in FPM. Medium temperature from -10°C to +90°C. Viscosity max 5 E° (~37 cStokes or mm²/s). Opening time ~30ms. Closing time ~30ms.

COIL - Rated for continuous duty in AC (alternate current) only. Coil in class "F" (+155°C) wound by class "H" wires (+180°C) vacuum impregnated by polyester resin and encapsulated into glass fibre reinforced PBT (polybutylene-terephthalate).

Ambient temperature from -10°C to +60°C.

Standard voltages 24/50Hz-110/50Hz (120/60Hz)-230V/50Hz

Voltage tolerance +10% -15%

Electric plug connection (DIN 46340) or for 3 poles connector (DIN 43650).

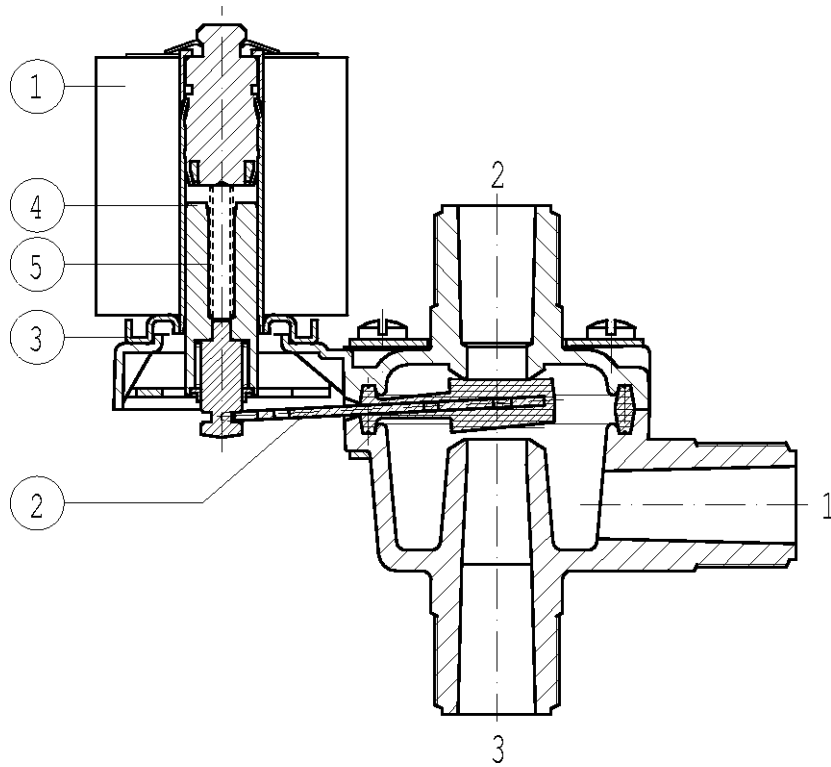
Protection degree IP65 as per EN 60529 if the coil is duly fitted with its plug connector.

Port size ISO 228	Orifice size (mm)	Max pressure (bar)				Kv (m ³ /h)	Series and type		Power absorption			Seals	Weight (kg)
		Gases		Liquids			Valve	Coil	AC (VA)		DC (W)		
		AC	DC	AC	DC				Inrush	Holding			
G 1/2	9	0,4	-	0,4	-	1,6	D332V20C	Z110A	44	24	-	FPM	0,480

NOTES - Seal: FPM = Fluoro-carbon elastomer
- Other voltages and frequencies on request.

SPARE PARTS

Series D332



Kit description

Kit P.N.

Consisting of :

Core kit

G3048202

Core pos 4
Core return spring pos.5

Lever-seal

3037301

Lever-seal pos. 2

Guide pipe assembly

2992601

Guide pipe assembly pos. 3

Coil Z110A

Coil pos. 1

NB - THE VALIDITY OF REPORTED DATA IS REFERRED TO THE DATE OF ISSUE. POSSIBLE UPDATING ARE AVAILABLE ON REQUEST