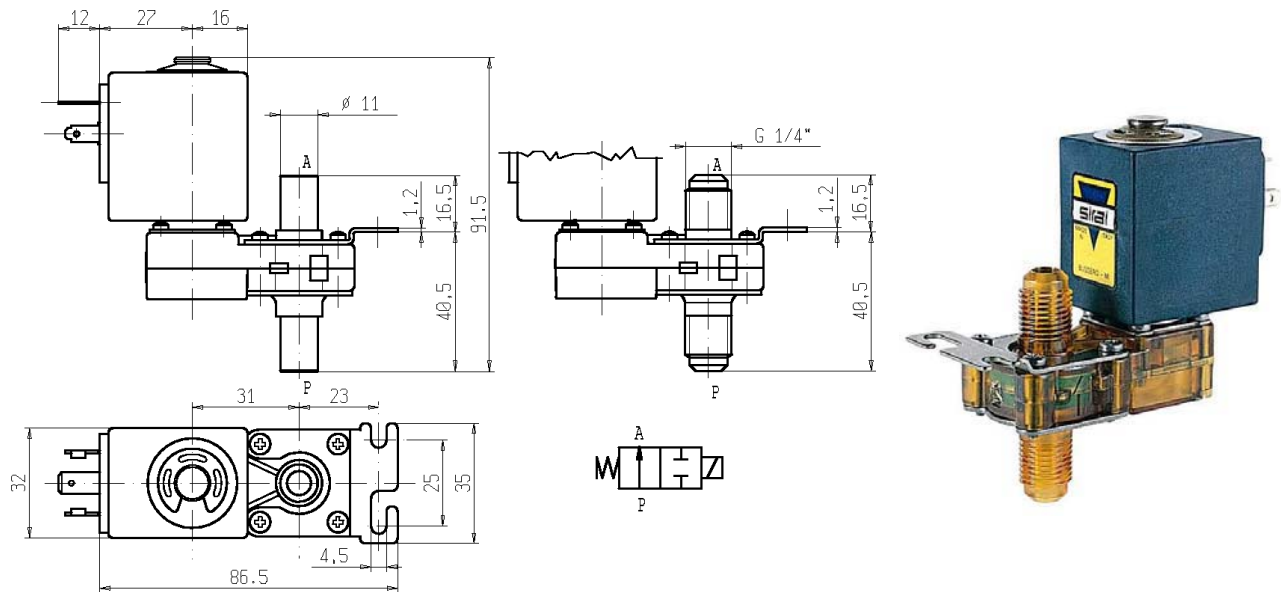




## 2/2 - DRY - SOLENOID VALVE - Normally open (N.O.) Series D244 - Coil Z530A

ISO 9001



**FEATURES** - Direct acting, total separation between the actuator and medium which remains in contact only with the valve body and the lever-seal. Designed to shut off liquid and gaseous media compatible with valve materials. Possibility of disassembling for inspection.

**MOUNTING** - In any position, vertical with coil upwards preferred.

**VALVE** - Moulded body in PEI (Polyetherimide). Lever seal in elastomer as per table. Medium temperature from -10°C to +100°C. Viscosity max 5 E° (~37 cStokes or mm²/s). Opening time ~25ms. Closing time ~25ms.

**COIL** - Rated for continuous duty in AC (alternate current) or DC (direct current). Coil in class "F" (+155°C) wound by class "H" wires (+180°C) vacuum impregnated by polyester resin and encapsulated into glass fibre reinforced PBT (polybutylene-terephthalate).

Ambient temperature from -10°C to +60°C.

Standard voltages 24/50Hz-110/50Hz (120/60Hz)-230V/50Hz and 12-24 V DC

Voltage tolerance +10% -15% AC and +10% -5% DC.

Electric plug connection (DIN 46340) or for 3 poles connector (DIN 43650).

Protection degree IP65 as per EN 60529 if the coil is duly fitted with its plug connector

| Port size<br>G = ISO-228 | Orifice size<br>(mm) | Max pressure (bar) |     |         |     | Kv<br>(m³/h) | Series and type            |       | Power absorption |         |           | Seals              | Notes | Weight<br>(kg) |
|--------------------------|----------------------|--------------------|-----|---------|-----|--------------|----------------------------|-------|------------------|---------|-----------|--------------------|-------|----------------|
|                          |                      | Gases              |     | Liquids |     |              | Valve                      | Coil  | AC (VA)          |         | DC<br>(W) |                    |       |                |
|                          |                      | AC                 | DC  | AC      | DC  |              |                            |       | Inrush           | Holding |           |                    |       |                |
| Slip-on                  | 3,2                  | 3                  | 1   | 3       | 1   | 0,30         | D244D6<br>D244S6<br>D244V6 | Z530A | 23               | 14      | 9         | EPDM<br>VMQ<br>FPM | -     | 0,255          |
|                          | 5,5                  | 0,9                | 0,2 | 0,9     | 0,2 | 0,55         |                            |       |                  |         |           |                    | 1     |                |
| G 1/4                    | 3,2                  | 3                  | 1   | 3       | 1   | 0,30         | D244D7<br>D244S7<br>D244V7 |       |                  |         |           | EPDM<br>VMQ<br>FPM | -     |                |
|                          | 5,5                  | 0,9                | 0,2 | 0,9     | 0,2 | 0,55         |                            |       |                  |         |           |                    | 1     |                |

**NOTES** - Seal: EPDM = Ethylene propylene elastomer VMQ = Silicone elastomer FPM = Fluoro-carbon elastomer.

- For strong basic solutions (pH >=10), we recommend the use of the model with moulded body in glassfibre reinforced PPOm (modified polyphenil oxide): available on request.

- On request and depending on quantities:

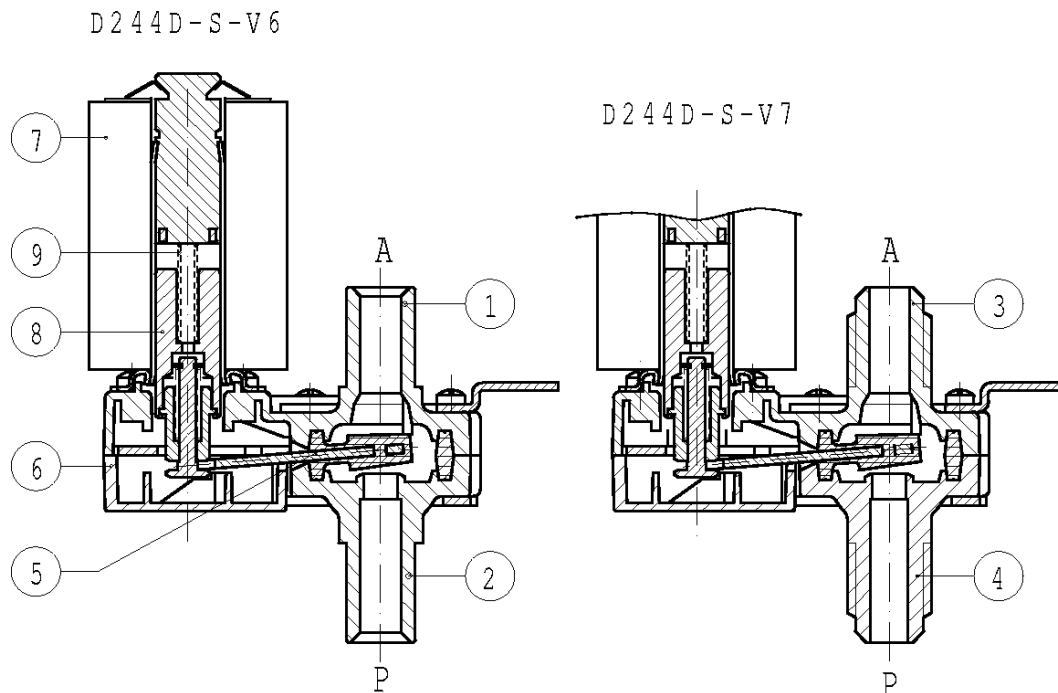
- silent model (only for DC).

- other voltages and frequencies

1 - Ø 5,5 - Designed for bidirectional use at 0,9 bar (a.c.). With inlet at A port, the max pressure is 1,5 (a.c.) bar (monodirectional)

# SPARE PARTS

## Series D244



### Kit description

### Kit P.N.

### Consisting of:

|            |                    |          |  |
|------------|--------------------|----------|--|
| Body kit   | D244D6-S6-V6 Ø 3,2 | G2846602 | Upper body pos. 1                            |
| Body kit   | D244D6-S6-V6 Ø 5,5 | G2846601 | Lower body pos. 2                            |
| Body kit   | D244D7-S7-V7 Ø 3,2 | G2847102 | Upper body pos. 3                            |
| Body kit   | D244D7-S7-V7 Ø 5,5 | G2847101 | Lower body pos. 4                            |
| Core kit   |                    | G2999301 | Core Kit pos. 8<br>Core return spring pos. 9 |
| Lever seal | D244D6-D7          | 2977703  | Lever seal pos. 5                            |
| Lever seal | D244S6-S7          | 2336306  | Lever seal pos. 5                            |
| Lever seal | D244V6-V7          | 2977702  | Lever seal pos. 5                            |
| Cover      |                    | 2738503  | Cover pos. 6                                 |
| Coil Z530A |                    |          | Coil pos. 7                                  |

N.B. - In case of disassembling, for usual maintenance, the fixing screws have to be tightened at 0,6 Nm. max torque.

NB - THE VALIDITY OF REPORTED DATA IS REFERRED TO THE DATE OF ISSUE. POSSIBLE UPDATING ARE AVAILABLE ON REQUEST