

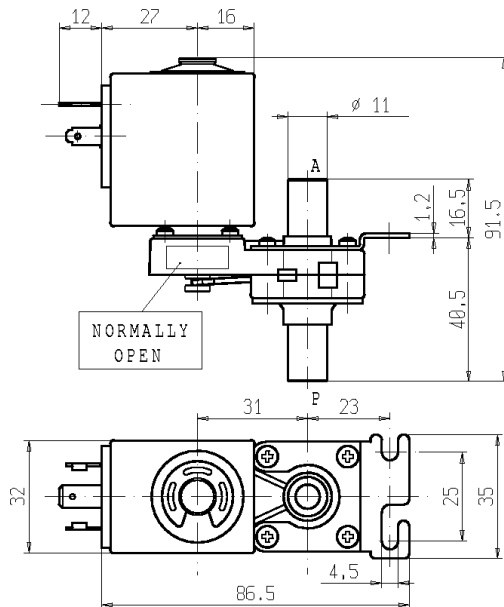


D244S10

2/2 - DRY - SOLENOID VALVE - Normally open (N.O.)
Series D244S10 - Coil Z530A - Slip-on

ISO 9001

NON STANDARD



FEATURES - Direct acting, total separation between the actuator and medium which remains in contact only with the valve body and the lever-seal. Designed to shut off liquid and gaseous media compatible with valve materials. Possibility of disassembling for inspection. Silent execution. Possibility of manual opening. The parts subject to sliding friction are duly coated by PTFE-based self lubricating material.

MOUNTING - In any position, vertical with coil upwards preferred.

VALVE - Moulded body in PEI (Polyetherimide). Lever seal in elastomer as per table. Medium temperature from -10°C to +100°C. Viscosity max 5 E° (~37 cStokes or mm²/s). Opening time ~50ms. Closing time ~25ms.

COIL - Rated for continuous duty only in DC (direct current). Coil in class "F" (+155°C) wound by class "H" wires (+180°C) vacuum impregnated by polyester resin and encapsulated into glass fibre reinforced PBT (polybutylene-terephthalate).

Ambient temperature from -10°C to +60°C.

Standard voltages 12-24 V DC.

Voltage tolerance +10% -5% DC.

Electric plug connection (DIN 46340) or for 3 poles connector (DIN 43650).

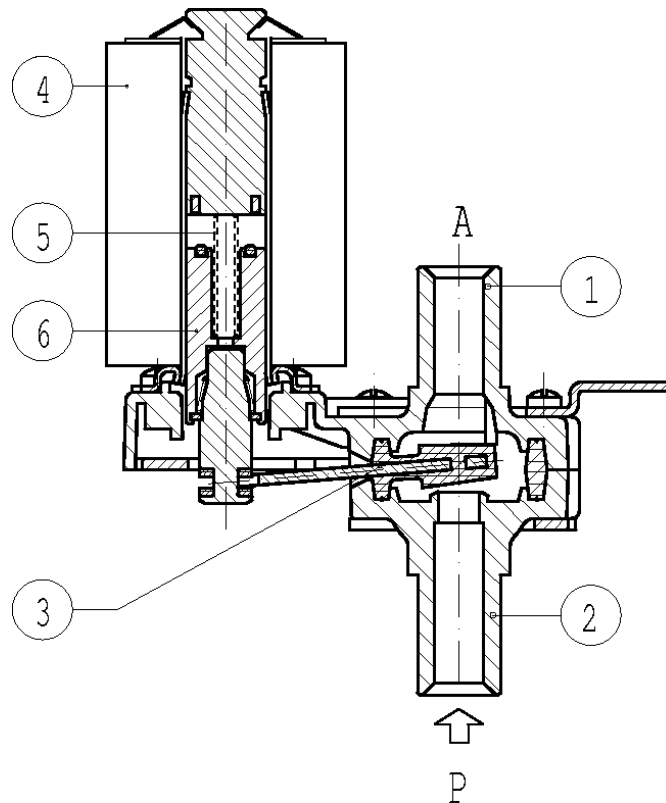
Protection degree IP65 as per EN 60529 if the coil is duly fitted with its plug connector.

| Port size | Orifice size (mm) | Max pressure (bar) | | | | Kv (m³/h) | Series and type | | Power absorption | | | Seals | Notes | Weight (kg) |
|-----------|-------------------|--------------------|----|---------|----|-----------|-----------------|-------|------------------|---------|--------|-------|-------|-------------|
| | | Gases | | Liquids | | | Valve | Coil | AC (VA) | | DC (W) | | | |
| | | AC | DC | AC | DC | | | | Inrush | Holding | | | | |
| Slip-on | 5,5 | - | 1 | - | 1 | 0,55 | D244S10 | Z530A | - | - | 9 | VMQ | - | 0,255 |

NOTES - Seal: VMQ = Silicone elastomer

SPARE PARTS

Series D244S10



Kit Description

Kit P.N.

Consisting of:

| | | |
|----------------|----------|--|
| Body kit | G2846601 | Upper body pos. 1 Lower body pos. 2 |
| Core kit | G3042901 | Core return spring pos.5 Core pos.6 |
| Lever seal kit | 2226306 | Lever seal pos.3 |
| Coil Z530A | | Coil pos. 4 |

NOTE - In case of disassembling, for usual maintenance, the fixing screws have to be tightened at 0,6 Nm max torque.

NB - THE VALIDITY OF REPORTED DATA IS REFERRED TO THE DATE OF ISSUE. POSSIBLE UPDATING ARE AVAILABLE ON REQUEST