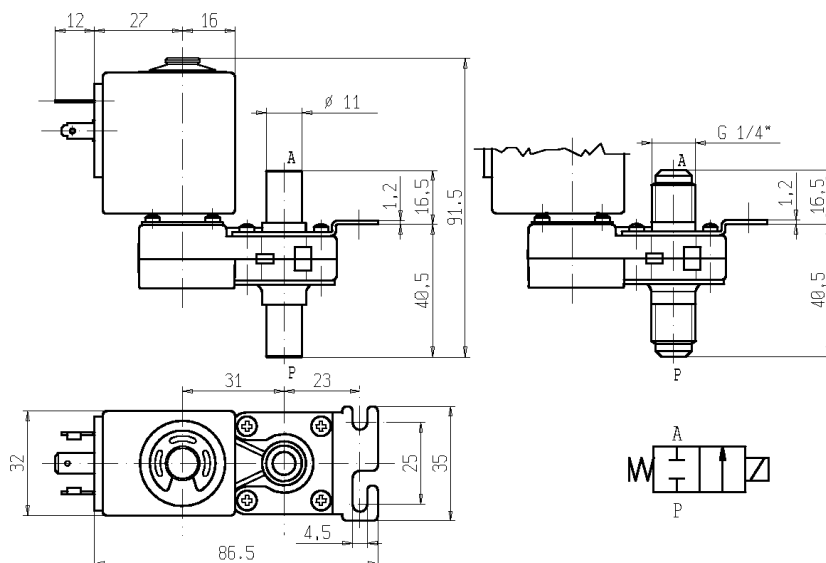




2/2 - DRY - SOLENOID VALVE - Normally closed (N.C.)

Series D144 - Coil Z530A

ISO 9001



FEATURES - Direct acting, total separation between the actuator and medium which remains in contact only with the valve body and the lever-seal. Designed to shut off liquid and gaseous media compatible with valve materials. Possibility of disassembling for inspection.

MOUNTING - In any position, vertical with coil upwards preferred.

VALVE - Moulded body in PEI (Polyetherimide). Lever seal in elastomer and ports as per table. Medium temperature from -10°C to +100°C. Viscosity max 5 E° (~37 cStokes or mm²/s). Opening time ~25ms. Closing time ~25ms.

COIL - Rated for continuous duty in AC (alternate current) or DC (direct current). Coil in class "F" (+155°C) wound by class "H" wires (+180°C) vacuum impregnated by polyester resin and encapsulated into glass fibre reinforced PBT (polybutylene-terephthalate).

Ambient temperature from -10°C to +60°C.

Standard voltages 24/50Hz-110/50Hz (120/60Hz)-230V/50Hz and 12-24 V DC.

Voltage tolerance +10% -15% AC and +10% -5% DC.

Electric plug connection (DIN 46340) or for 3 poles connector (DIN 43650).

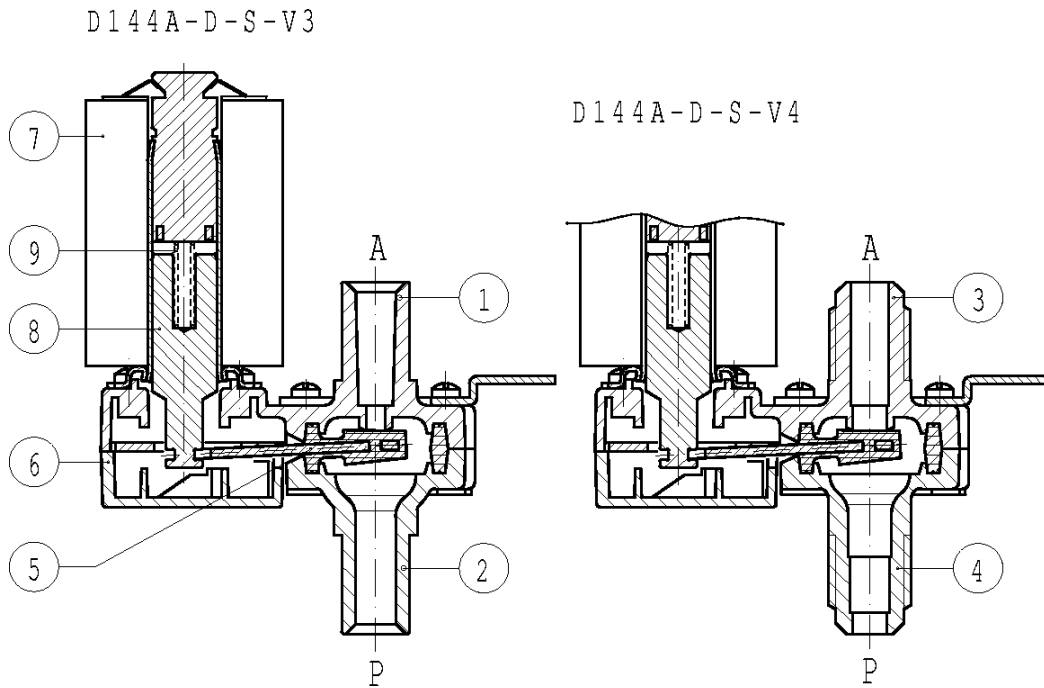
Protection degree IP65 as per EN 60529 if the coil is duly fitted with its plug connector.

Port size G =ISO 228	Orifice size (mm)	Max pressure (bar)				Kv (m³/h)	Series and type		Power absorption			Seals	Notes	Weight (kg)
		Gases		Liquids			Valve	Coil	AC (VA)		DC (W)			
		AC	DC	AC	DC				Inrush	Holding				
Slip-on	3,2	10	2,4	10	2,4	0,32	D144A3 D144D3 D144V3	Z530A	23	14	9	SBR EPDM FPM	-	0,255
	5,5	4,5	1	4,5	1	0,55								
	3,2	1,5	1,5	1,5	1,5	0,32	D144S3							
	5,5	1,5	1	1,5	1	0,55								
G 1/4	3,2	10	2,4	10	2,4	0,32	D144A4 D144D4 D144V4	Z530A	23	14	9	SBR EPDM FPM	-	0,255
	5,5	4,5	1	4,5	1	0,55								
	3,2	1,5	1,5	1,5	1,5	0,32	D144S4							
	5,5	1,5	1	1,5	1	0,55								

- NOTES**
- Seal: EPDM = Ethylene propylene elastomer VMQ = Silicone elastomer
 - FPM = Fluoro-carbon elastomer. SBR = Styrol butadiene elastomer
 - For strong basic solutions (pH >=10), we recommend the use of the model with moulded body in glassfibre reinforced PPOm (modified polyphenil oxide): available on request.
 - On request and depending on quantities:
 - manual override
 - silent execution (only for DC see the corresponding data sheet)
 - other voltages and frequencies on request.

SPARE PARTS

Series D144



Kit Description

Kit P.N.

Consisting of:

Body kit	D144A3-D3-S3-V3 - Ø3,2 D144A3-D3-S3-V3 - Ø5,5	G2846401 G2846402	Upper body pos. 1 Lower body pos. 2
Body kit	D144A4-D4-S4-V4 - Ø3,2 D144A4-D4-S4-V4 - Ø5,5	G2846801 G2846802	Upper body pos. 3 Lower body pos. 4
Core kit	D144A3-D3-S3-V3 D144A4-D4-S4-V4	G2999201	Core pos. 8 Core return spring pos. 9
Lever seal kit	D144D3-D4	2977703	Lever seal pos. 5
Lever seal kit	D144S3-S4	2336306	
Lever seal kit	D144V3-V4	2977702	
Lever seal kit	D144A3-A4	2977701	
Cover		2738503	Cover pos. 6
Coil	Z530A		Coil pos. 7

NOTE - In case of disassembling, for usual maintenance, the fixing screws have to be tightened at 0,6 Nm max torque.