

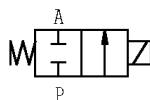
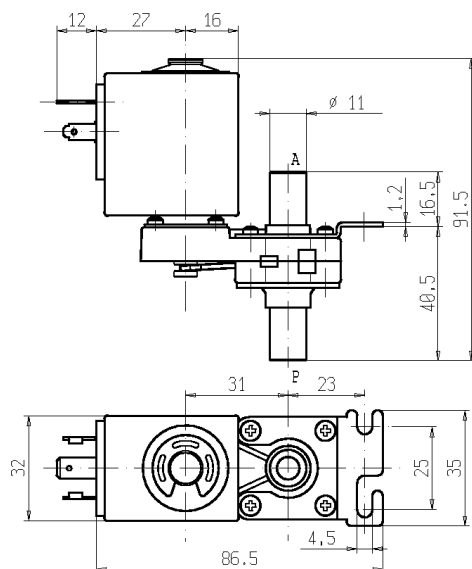


2/2 - DRY - SOLENOID VALVE - Normally closed (N.C.)

Series D144S6 - Coil Z530A - Slip-on

ISO 9001

NON STANDARD



FEATURES - Direct acting, total separation between the actuator and medium which remains in contact only with the valve body and the lever-seal. Designed to shut off liquid and gaseous media compatible with valve materials. Possibility of disassembling for inspection. Silent execution. Possibility of manual opening. The parts subject to sliding friction are duly coated by PTFE-based self lubricating material.

MOUNTING - In any position, vertical with coil upwards preferred.

VALVE - Moulded body in PEI (Polyetherimide). Lever seal in elastomer as per table. Medium temperature from -10°C to +100°C. Viscosity max 5 E° (~37 cStokes or mm²/s). Opening time ~50ms. Closing time ~25ms.

COIL - Rated for continuous duty only in DC (direct current). Coil in class "F" (+155°C) wound by class "H" wires (+180°C) vacuum impregnated by polyester resin and encapsulated into glass fibre reinforced PBT (polybutylene-terephthalate). Ambient temperature from -10°C to +60°C.

Standard voltages 12-24 V DC.

Voltage tolerance +10% -5% DC.

Electric plug connection (DIN 46340) or for 3 poles connector (DIN 43650).

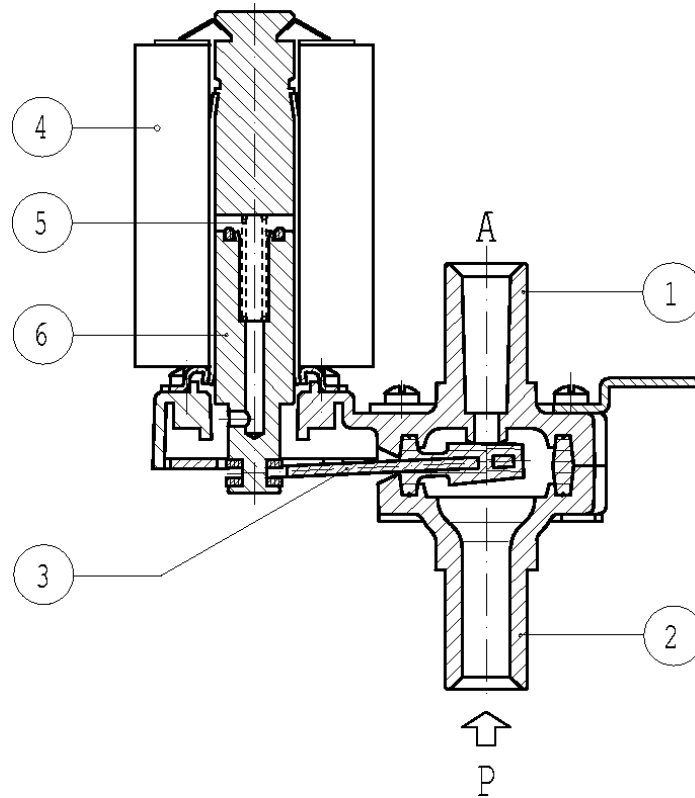
Protection degree IP65 as per EN 60529 if the coil is duly fitted with its plug connector.

Port size	Orifice size (mm)	Max pressure (bar)				Kv (m³/h)	Series and type		Power absorption			Seals	Notes	Weight (kg)
		Gases		Liquids			Valve	Coil	AC (VA)		DC (W)			
		AC	DC	AC	DC				Inrush	Holding				
Slip-on	3,2	-	1,5	-	1,5	0,32	D144S6	Z530A	-	-	9	VMQ	1	0,255
	5,5	-	1	-	1	0,55							-	

NOTES - Seal: VMQ = Silicone elastomer
1 - Max pressure 0,9 bar in bi-directional operation.

SPARE PARTS

Series D144S6



Kit Description

Kit P.N.

Consisting of:

Body kit D144S6 Ø3,2
D144S6 Ø5,5

G2846401
G2846402

Upper body pos. 1
Lower body pos. 2

Core kit

G3042801

Core return spring pos.5
Core pos. 6

Lever seal kit

2336306

Lever seal pos.3

Coil Z530A

Coil pos. 4

NOTE - In case of disassembling, for usual maintenance, the fixing screws have to be tightened at 0,6 Nm max torque.

NB - THE VALIDITY OF REPORTED DATA IS REFERRED TO THE DATE OF ISSUE. POSSIBLE UPDATING ARE AVAILABLE ON REQUEST