

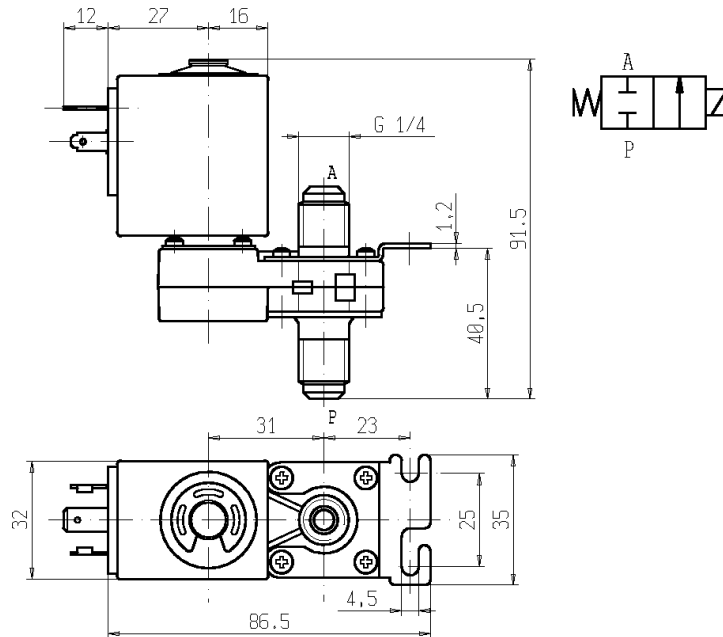


D144D15

2/2 - DRY - SOLENOID VALVE - Normally closed (N.C.)

Series D144D15 - Coil Z530A - G 1/4

ISO 9001



FEATURES - Direct acting, total separation between the actuator and medium which remains in contact only with the valve body and the lever-seal. Designed to shut off liquid and gaseous media compatible with valve materials and mainly for very strong basic solutions pH ≥ 10. Possibility of disassembling for inspection.

MOUNTING - In any position, vertical with coil upwards preferred.

VALVE - Moulded body in glass fibre reinforced PPOm (modified polyphenil oxide). Lever seal as per table. Medium temperature from -10°C to +100°C . Viscosity max 5 E° (~37 cStokes or mm²/s). Opening time ~25ms. Closing time ~25ms.

COIL - Rated for continuous duty in AC (alternate current) or DC (direct current). Coil in class "F" (+155°C) wound by class "H" wires (+180°C) vacuum impregnated by polyester resin and encapsulated into glass fibre reinforced PBT (polybutylene-terephthalate). Ambient temperature from -10°C to +60°C.

Standard voltages 24V/50Hz-110V/50Hz (120V/60Hz)-230V/50Hz and 12-24 V DC.

Voltage tolerance +10% -15% AC and +10% -5% DC.

Electric plug connection (DIN 46340) or for 3 poles connector (DIN 43650).

Protection degree IP65 as per EN 60529 if the coil is duly fitted with its plug connector.

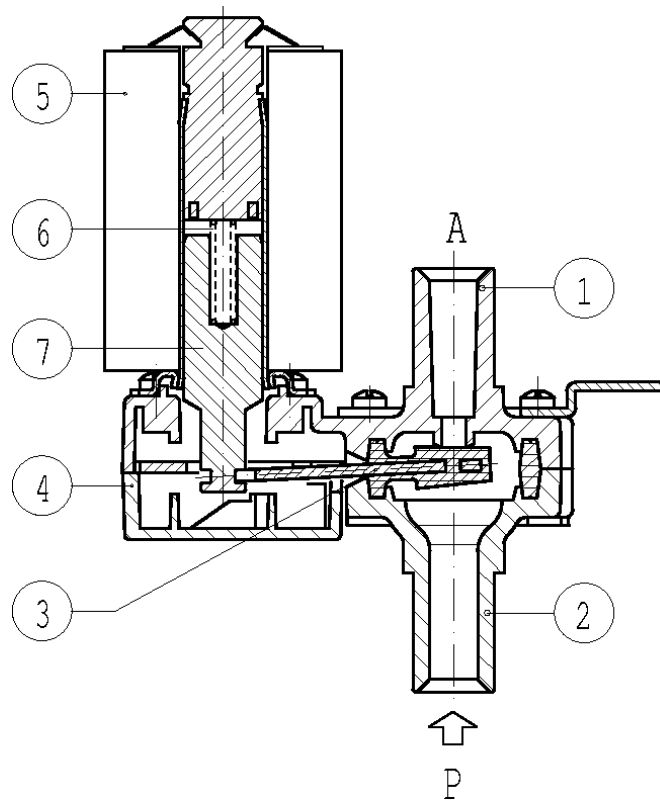
NON STANDARD

Port size ISO 228	Orifice size (mm)	Max pressure (bar)				Kv (m³/h)	Series and type		Power absorption			Seals	Notes	Weight (kg)
		Gases		Liquids			Valve	Coil	AC (VA)		DC (W)			
		AC	DC	AC	DC				Inrush	Holding				
G 1/4	5,5	4,5	1	4,5	1	0,55	D144D15	Z530A	23	14	9	EPDM	-	0,255

- NOTES**
- Seal: EPDM = Ethylene-propylene elastomer
 - On request and depending on quantities:
 - manual override
 - silent execution (only for DC see the corresponding data sheet)
 - other voltage and frequencies

SPARE PARTS

Series D144D15



NON STANDARD

Kit description	Kit P.N.	Consisting of :
Body kit	G2938901	Upper body pos. 1 Lower body pos. 2
Core kit	G2999201	Core return spring pos. 6 Core pos. 7
Lever seal kit	2977703	Lever-seal pos. 3
Cover	2738506	Cover pos. 4
Coil Z530A		Coil pos. 5

NB - In case of disassembling for usual maintenance, the fixing screws have to be tightened at 0,6 Nm max torque.

NB - THE VALIDITY OF REPORTED DATA IS REFERRED TO THE DATE OF ISSUE. POSSIBLE UPDATING ARE AVAILABLE ON REQUEST