

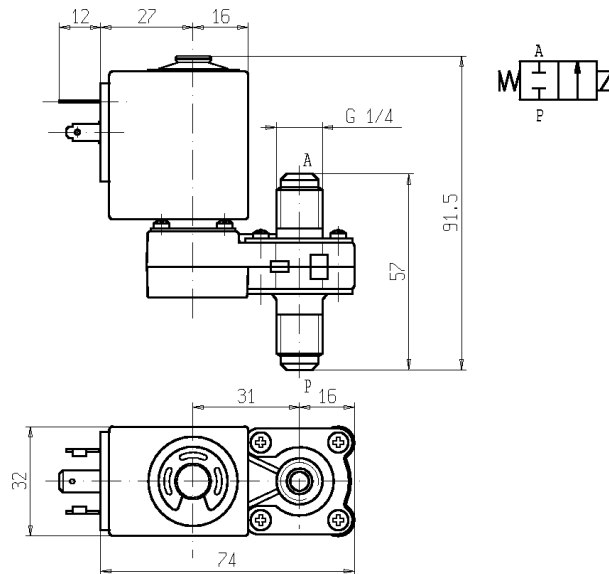


2/2 - DRY - SOLENOID VALVE - Normally closed (N.C.)

Series D144A13 - Coil Z530A – G 1/4

ISO 9001

NON STANDARD



FEATURES - Direct acting, total separation between the actuator and medium which remains in contact only with the valve body and the lever-seal. Designed to shut off liquid and gaseous media compatible with valve materials. Possibility of disassembling for inspection.

MOUNTING - In any position, vertical with coil upwards preferred.

VALVE - Moulded body in PEI (Polyetherimide). Lever seal and ports as per table. Medium temperature from -10°C to +100°C. Viscosity max 5 E° (~37 cStokes or mm²/s). Opening time ~25ms. Closing time ~25ms.

COIL - Rated for continuous duty in AC (alternate current) or DC (direct current). Coil in class "F" (+155°C) wound by class "H" wires (+180°C) vacuum impregnated by polyester resin and incapsulated into glass fibre reinforced PBT (polybutylene-terephthalate).

Ambient temperature from -10°C to +60°C.

Standard voltages 24/50Hz-110/50Hz (120/60Hz)-230V/50Hz and 12-24 V DC.

Voltage tolerance +10% -15% AC and +10% -5% DC.

Electric plug connection (DIN 46340) or for 3 poles connector (DIN 43650).

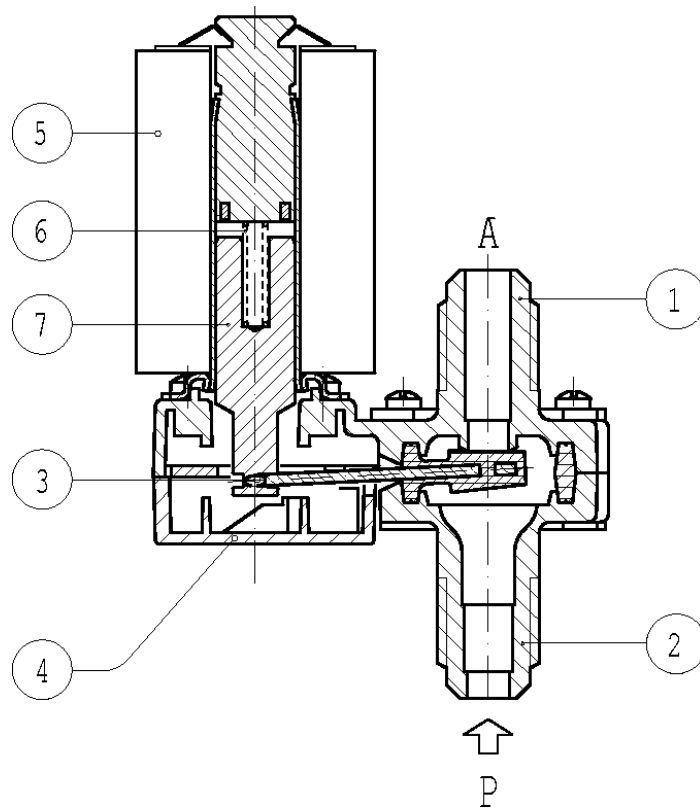
Protection degree IP65 as per EN 60529 if the coil is duly fitted with its plug connector.

Port size ISO-228	Orifice size (mm)	Max pressure (bar)				Kv (m³/h)	Series and type		Power absorption			Seals	Notes	Weight (kg)
		Gases		Liquids			Valve	Coil	AC (VA)		DC (W)			
		AC	DC	AC	DC				Inrush	Holding				
G 1/4	5,5	4,5	1	4,5	1	0,55	D144A13	Z530A	23	14	9	SBR	-	0,255

NOTES - Seal: SBR = Elastomer styrol butadiene.
- Other voltages and frequencies on request .

SPARE PARTS

Series D144A13



Kit Description

Kit P.N.

Consisting of:

Body kit	G2846802	Upper body pos. 1 Lower body pos. 2
Core kit	G2999201	Core return spring pos.6 Core pos. 7
Lever seal kit	2977701	Lever seal pos.3
Cover	2738503	Cover pos. 4
Coil Z530A		Coil pos. 5

NOTE - In case of disassembling, for usual maintenance, the fixing screws have to be tightened at 0,6 Nm max torque.

NB - THE VALIDITY OF REPORTED DATA IS REFERRED TO THE DATE OF ISSUE. POSSIBLE UPDATING ARE AVAILABLE ON REQUEST