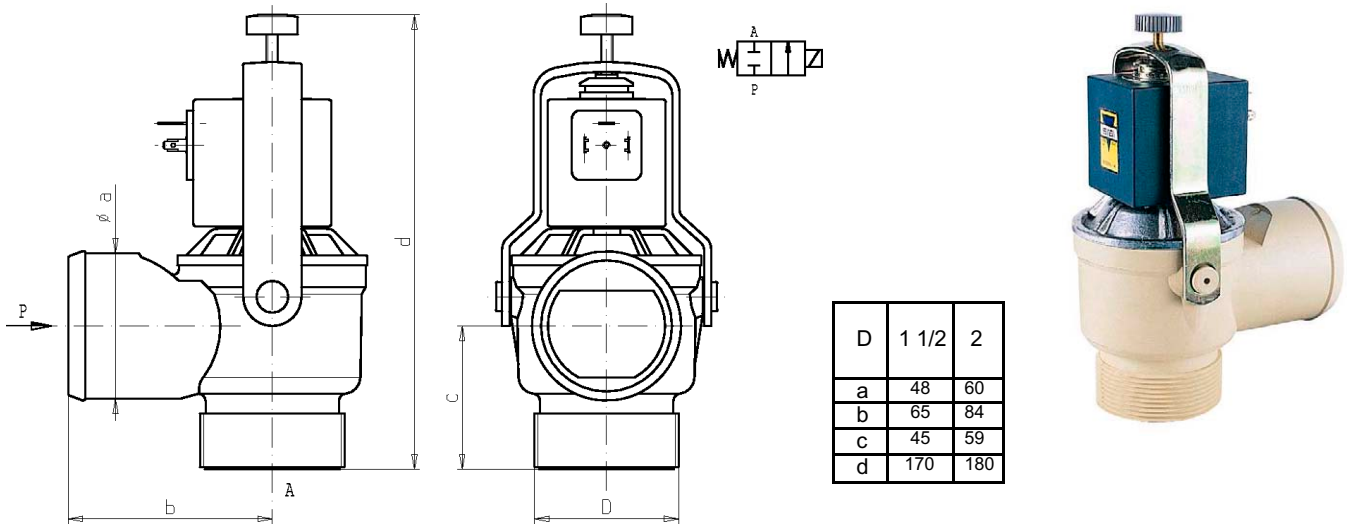




2/2 - DRY - SOLENOID VALVE - Normally closed (N.C.)

Series D137 - Coil Z923G - G 1 1/2 - 2

ISO 9001



D	1 1/2	2
a	48	60
b	65	84
c	45	59
d	170	180

FEATURES - Direct acting, total separation between the actuator and medium which remains in contact only with the valve body and the bellow plug. Designed to shut off liquid and gaseous media compatible with valve materials. Suitable for fast drain of tanks. It can be opened for inspection.

MOUNTING - In any position, vertical with coil upwards preferred.

VALVE - Moulded body in glassfibre reinforced PPOm (modified polyphenil oxide). Bellow plug in elastomer as per table. Medium temperature from -10°C to +90°C (NBR), from 0°C to 130°C (FPM). Viscosity max 5 E° (~37 cStokes or mm²/s). Opening time ~400ms. Closing time ~400ms.

COIL - Rated for discontinuous duty ED = 60% with max cycle time 40min. in AC (alternate current) only. Zinc plated external steel housing. Coil in class "F" (+155°C) wound by class "H" wires (+180°C) vacuum impregnated by polyester resin moulded into glassfibre reinforced PBT (polybutylene-terephthalate).

Ambient temperature from -10°C to +60°C.

Standard voltages 24/50Hz-110/50Hz (120/60Hz)-220/50Hz (240/60Hz)-230V/50Hz

Voltage tolerance +10% -15% AC

Electric plug connection (DIN 46340) or for 3 poles connector (43650).

Protection degree IP65 as per EN 60529 if the coil is duly fitted with its plug connector.

Ports size ISO 228	Orifice size (mm)	Max pressure (bar)				Kv (m³/h)	Series and type		Power absorption			Seals	Notes	Weight (kg)
		Gases		Liquids			Valve	Coil	AC (VA)		DC (W)			
		AC	DC	AC	DC				Inrush	Holding				
G 1 1/2	36	0,15	-	0,15	-	20	D137B5	150	46	-	NBR	-	1,170	
G 2	43					34							Z923G	1,220
G 1 1/2	36					20	D137V5							1,170
G 2	43					34							FPM	1,220

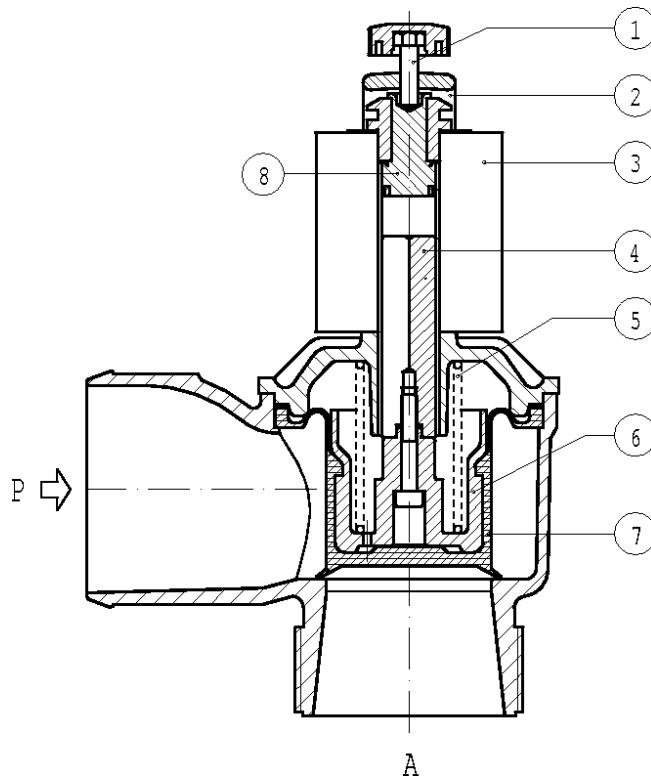
NOTES - The maximum pressure value, in bar, indicated in the table, has to be understood with zero pressure downstream the valve.

- Seal: NBR = Nitrile-butylene elastomer FPM = Fluoro-carbon elastomer

- Other voltages and frequencies on request.

SPARE PARTS

Series D137



Kit description	Kit P.N.	Consisting of:
Clamp kit	G2598801	Clamp pos. 2 Screw pos. 1
Plunger return spring kit	G2237301	N° 10 Plunger return springs pos.5
Core kit	2254301	Core pos. 4 Bellow plug stiffener pos. 6
Bellow plug D137B5 Bellow plug D137V5	2252101 2252103	Bellow plug pos. 7 Bellow plug pos. 7
Guide pipe assembly	2782101	Guide pipe assembly pos. 8
Coil Z923G		Coil pos. 3

NB - THE VALIDITY OF REPORTED DATA IS REFERRED TO THE DATE OF ISSUE. POSSIBLE UPDATING ARE AVAILABLE ON REQUEST