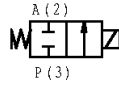
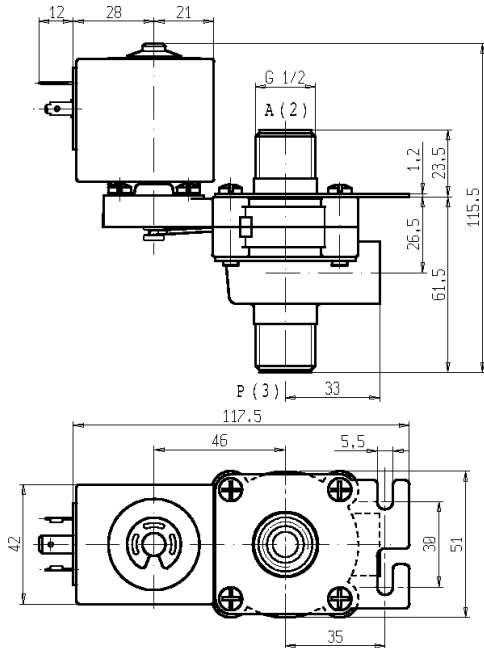




SOLENOID VALVE - DRY
2/2 - NC (Normally closed)
 Direct acting - Total isolation
G 1/2

D132A19



► **GENERAL FEATURES**

Direct acting, total isolation solenoid valve: the actuator is totally isolated from the medium so that the wetted parts are just the body and the diaphragm.

Possibility of disassembling for inspection.

Core duly coated by PTFE (polytetrafluoroethylene) based self lubricating material.

Suitable to shut off liquid and gaseous fluids (verify the compatibility of fluid with materials in contact).

Not suitable for use with dangerous fluids listed in Group 1, therefore they are free from CE marking in conformity with article 3 § 3 of the European Directive 97/23/EC (Pressure Equipment Directive).

► **TECHNICAL FEATURES**

Maximum allowable pressure (PS)	2 bar
Opening time	~ 30ms
Closing time	~ 30ms
Fluid temperature	-10°C +90°C
Max viscosity	5°E (~37 cStokes o mm ² /s)

► **MATERIALS IN CONTACT WITH FLUID**

Body	PPS (Polyphenylene-sulfide) reinforced
Sealing	SBR

► **COIL**

Continuous duty	ED 100%
Coil impregnation	Polyester resin
Encapsulation material	PBT (polybutylene-terephthalate) glass fibre reinforced
Coil insulation class	F(155°C)
Ambient temperature	-10 C° +60 °C
Electric connenctions	DIN 46340 - 3 poles connector (DIN 43650)
Protection degree	IP 65 (EN 60529) with plug connector
Voltages	DC
	AC
	12-24V (+10% -5%)
	24V/50Hz - 110V/50Hz (120V/60Hz) - 230V/50Hz (+10% -15%)
	(Other voltages and frequencies on request)

NON STANDARD

Port size ISO 228	Orifice size (mm)	Differential pressure (bar)				Kv (m ³ /h)	Series and type		Power absorption			Sealings	Notes	Weight (kg)	
		Δp min	Δp max		Valve		Coil	AC (VA)		DC (W)					
			Gases					Liquids			Inrush				Holding
			AC	DC				AC	DC						
G 1/2	9	0	1,6	0,25	1,6	0,25	1,6	D132A19	Z110A	44	24	13	SBR	-	0,540

► **NOTES**

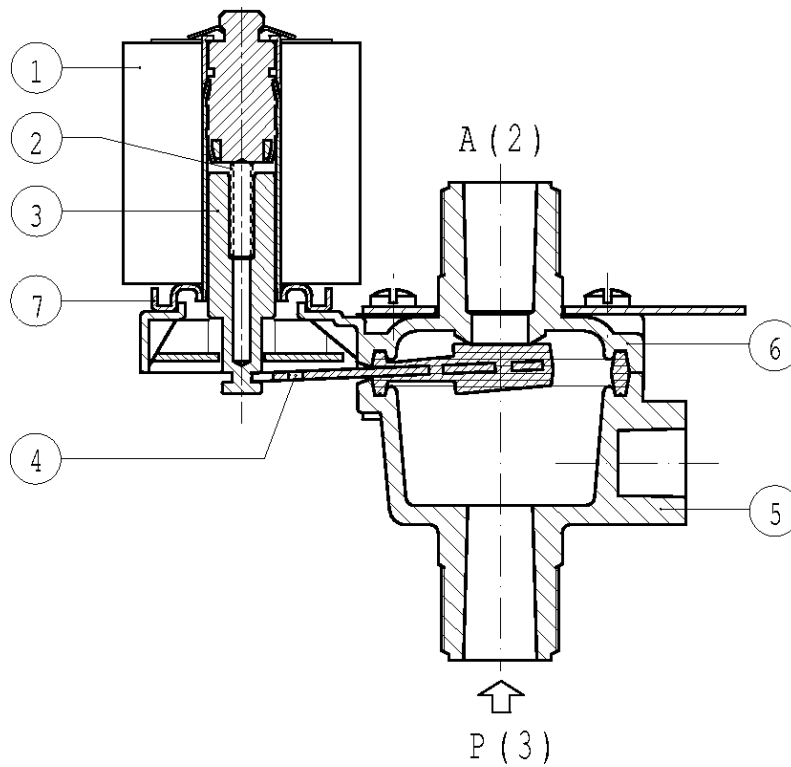
- Sealings : SBR = Elastomer styrol butadiene

0110/0210

D132A19

NON STANDARD

► SPARE PARTS



Kit description

Body kit

Core kit

Lever seal

Guide pipe assembly

Coil

Z110A

Kit P.N.

G2986603

G2992801

3037304

2992601

Consisting of:

Upper body pos.6
Lower body pos.5

Core return spring pos.2
Core pos.3

Lever seal pos.4

Guide pipe assembly pos.7

Coil pos. 1

► MOUNTING

- In case of disassembling for usual maintenance, the fixing screws have to be tightened at 1,5 Nm max torque.
- Solenoid valve can be mounted in any position; vertical with coil upwards preferred.

THE VALIDITY OF REPORTED DATA IS REFERRED TO THE DATE OF ISSUE. POSSIBLE UPDATING ARE AVAILABLE ON REQUEST.