

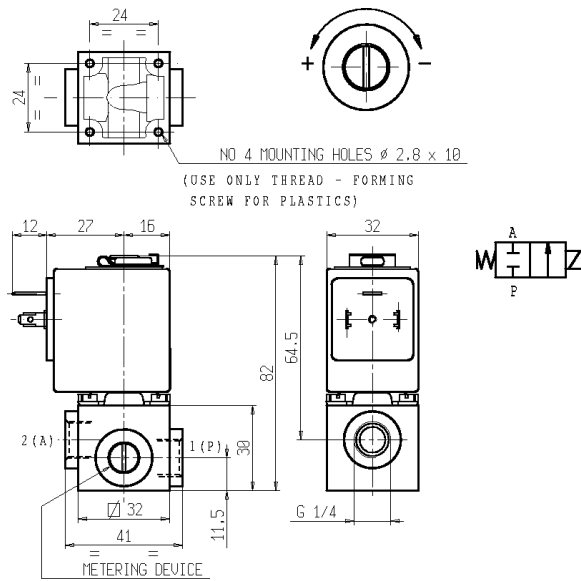


D130

2/2 - SOLENOID VALVE - Normally closed (N.C.)

Series D130 - Coil Z530A – G 1/4

ISO 9001



FEATURES - Direct acting, total separation between the actuator and medium which remains in contact only with the valve body and the diaphragm. Designed to shut off liquid and gaseous media compatible with valve materials. Possibility of disassembling for inspection. The parts subject to sliding friction are duly coated by PTFE-based self lubricating material.

MOUNTING - In any position, vertical with coil upwards preferred.

VALVE - Body and diaphragm materials as per table. Medium temperature from -10°C to $+80^{\circ}\text{C}$. Viscosity max 5 E° (~ 37 cStokes or mm^2/s). Opening time $\sim 20\text{ms}$. Closing time $\sim 20\text{ms}$.

COIL - Rated for continuous duty in AC (alternate current) or DC (direct current). Coil in class "F" ($+155^{\circ}\text{C}$) wound by class "H" wires ($+180^{\circ}\text{C}$) vacuum impregnated by polyester resin and encapsulated into glass fibre reinforced PBT (polybutylene-terephthalate). Ambient temperature from -10°C to $+60^{\circ}\text{C}$.

Standard voltages 24/50Hz-110/50Hz (120/60Hz)-230V/50Hz and 12-24 V DC.

Voltage tolerance $+10\%$ - 15% AC and $+10\%$ - 5% DC.

Electric plug connection (DIN 46340) or for 3 poles connector (DIN 43650).

Protection degree IP65 as per EN 60529 if the coil is duly fitted with its plug connector.

| Port size ISO 228 | Orifice size (mm) | Max pressure (bar) | | | | Kv (m^3/h) | Series and type | | Power absorption | | | Seals | Body | Notes | Weight (kg) | |
|----------------------|-------------------------|--------------------|----|---------|----|---------------------------------|-----------------|-------|------------------|---------|-----------|-------|------|-------|----------------|---|
| | | Gases | | Liquids | | | Valve | Coil | AC (VA) | | DC (W) | | | | | |
| | | AC | DC | AD | DC | | | | Inrush | Holding | | | | | | |
| G 1/4 | 2,3 | 4 | 4 | 4 | 4 | 0,13 | D130V01 | Z530A | 23 | 14 | 9 | FPM | PP | - | 0,290 | |
| | | | | | | | D130V03 | | | | | | | 1 | | |
| | 4,5 | 1 | 1 | 1 | 1 | 0,45 | D130V01 | | | | | | | - | | |
| | | | | | | | D130V03 | | | | | | | 1 | | |
| | 2,3 | 4 | 4 | 4 | 4 | 0,13 | D130V02 | | | | | | | POM | | - |
| | | | | | | | D130V04 | | | | | | | | | 1 |
| | 4,5 | 1 | 1 | 1 | 1 | 0,45 | D130V02 | | | | | | | | | - |
| | | | | | | | D130V04 | | | | | | | | | 1 |

NOTES

Seal: FPM = Fluoro-carbon elastomer

- Body: PP = Glassfibre reinforced polypropylene

- Maximum pressure 1 bar in bi-directional operation.

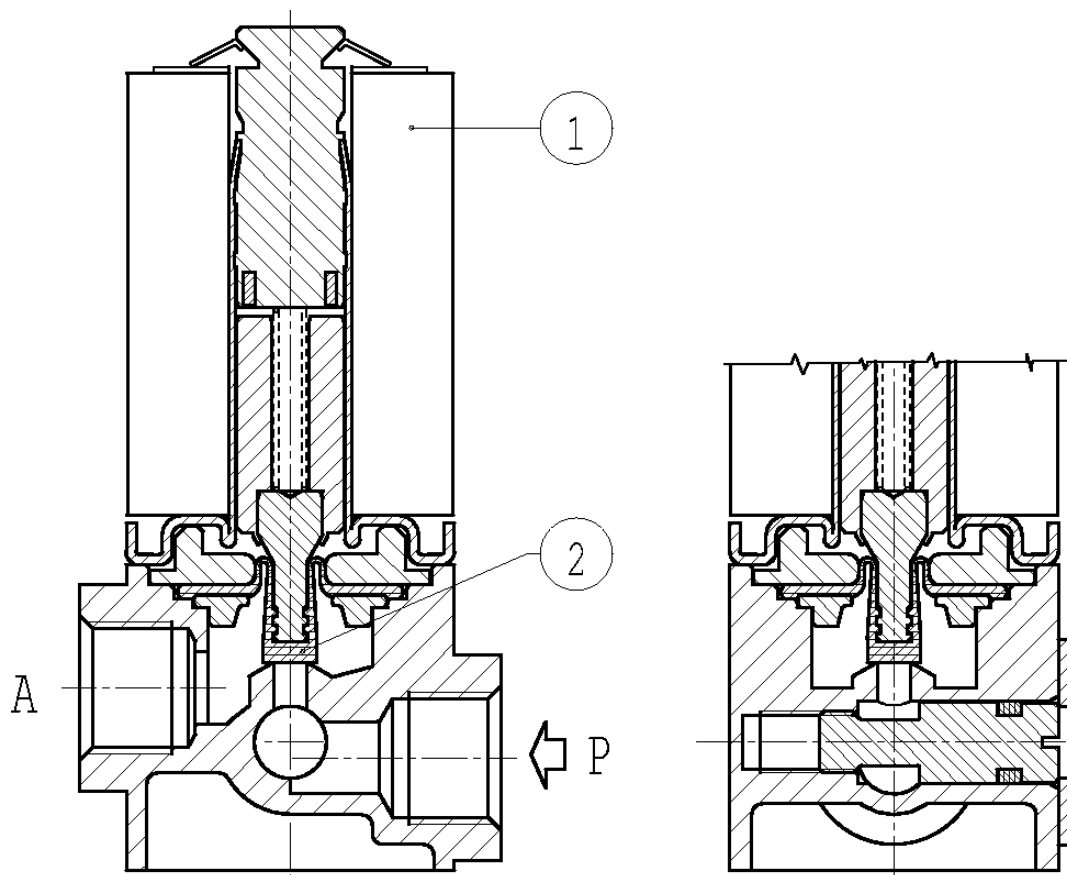
- Other voltages and frequencies on request.

- Other body materials on request.

1 - Fitted with metering device adjusting flow between 10% and 100%: multi-turns adjustment.

SPARE PARTS

Series D130



Kit description

Diaphragm kit | \varnothing 2,3 mm
| \varnothing 4,5 mm

Coil Z530A

Kit P.N.

G2945201
G2945101

Consisting of:

Diaphragm pos. 2

Coil pos. 1

NB - In case of disassembling, for usual maintenance, the fixing screws have to be tightened at 1 Nm max torque.

NB - THE VALIDITY OF REPORTED DATA IS REFERRED TO THE DATE OF ISSUE. POSSIBLE UPDATING ARE AVAILABLE ON REQUEST