

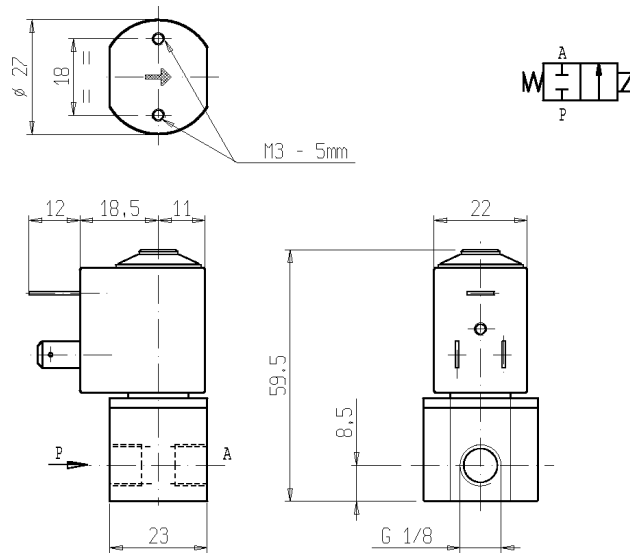


# D106

## 2/2 – DRY - SOLENOID VALVE - Normally closed (N.C.)

### Series D106 - Coil Z830A - G 1/8

ISO 9001



**FEATURES** - Direct acting, total separation between the actuator and the medium which remains in contact with the valve body and the diaphragm only. Designed to shut off liquid media compatible with valve material. Reduced internal volumes: ~0,07 ml (0,07 c.c.). Possibility of disassembling for inspection.

**MOUNTING** - In any position, preferably with vertical coil upwards.

**VALVE** – Body in stainless steel AISI 316. Diaphragm in PTFE coupled to elastomer support. Fixing flange for guide pipe in POM (polyacetal). Medium temperature from  $-10^{\circ}\text{C}$  to  $+100^{\circ}\text{C}$ . Max medium viscosity  $5^{\circ}\text{E}$  (~37cStokes or  $\text{mm}^2/\text{s}$ ). Opening time from ~40ms to ~80ms. Closing time from ~40ms to ~80ms.

**COIL** - Rated for continuous duty, suitable only in DC (direct current). Coil in class "F" ( $+155^{\circ}\text{C}$ ) wound by class "H" ( $+180^{\circ}\text{C}$ ) wires, vacuum impregnated by polyester resin and encapsulated into glass fibre reinforced PBT (Polybutylene terephthalate). Ambient temperature from  $-10^{\circ}\text{C}$  to  $+60^{\circ}\text{C}$ .

Standard voltages: 12-24V DC.

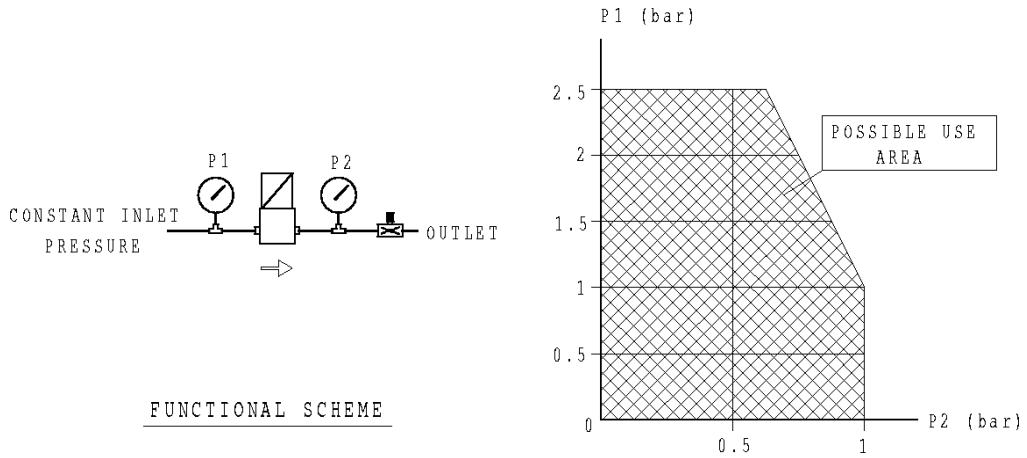
Voltage tolerance: +10% -5%

Electric plug connection (DIN 46340) or suitable for 3 poles connectors.

Protection degree IP65 as per EN 60529 if the coil is duly fitted with its plug connector

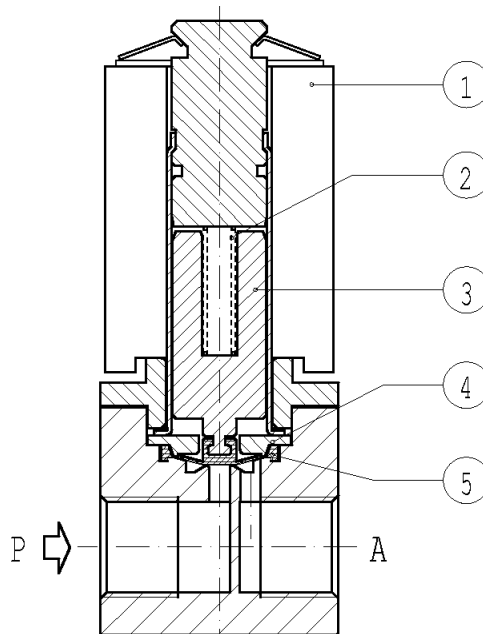
Port size ISO 228	Orifice size (mm)	Max pressure (bar)				Kv ( $\text{m}^3/\text{h}$ )	Series and type		Power absorption			Seals	Weight (kg)
		Gases		Liquids			Valve	Coil	AC (VA)		DC (W)		
		AC	DC	AC	DC				Inrush	Holding			
G 1/8	2	-	-	-	2,5	0,08	D106T07	Z830A	-	-	6	PTFE	0,170

**NOTES** - The working pressure of the valve is function of differential pressure between inlet and outlet; see the drawing (Fig. 1) overleaf.  
 - Seal: PTFE = Polytetrafluorethylene  
 - Other voltages on request



## SPARE PARTS

### Series D106



#### Kit description

#### Kit P.N.

#### Consisting of :

Diaphragm kit

G3043401

Core return spring pos.2  
Core pos.3  
Spacing collar pos.4  
Diaphragm pos.5

Coil Z830A

Coil pos. 1

NB - THE VALIDITY OF REPORTED DATA IS REFERRED TO THE DATE OF ISSUE. POSSIBLE UPDATING ARE AVAILABLE ON REQUEST