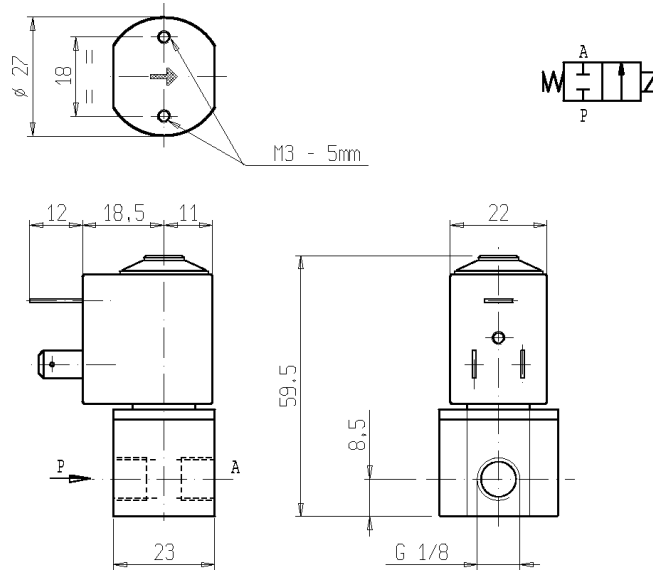




D106T08

2/2 – DRY – SOLENOID VALVE – Normally closed (N.C.) Series D106T08 – Coil Z830A – G 1/8

ISO 9001



FEATURES - Direct acting, total separation between the actuator and the medium which remains in contact with the valve body and the diaphragm only. Designed to shut off liquid media compatible with valve material. Reduced internal volumes: ~0,07 ml (0,07 c.c.). Possibility of disassembling for inspection.

MOUNTING - In any position, preferably with vertical coil upwards.

VALVE - Body in stainless steel AISI 316. Diaphragms in PTFE coupled to elastomer support. Fixing flange for guide pipe in POM (polyacetal).. Medium temperature from -10°C to +100°C. Max medium viscosity 5°E (~37cStokes or mm²/s). Opening time ~8ms. Closing time ~8ms.

COIL - Rated for continuous duty, suitable only in DC (direct current). Coil in class "F" (+155°C) wound by class "H" (+180°C) wires, vacuum impregnated by polyester resin and encapsulated into glass fibre reinforced PBT (Polybutylene terephthalate).

Ambient temperature from -10°C to +60°C.

Standard voltages: 12-24V DC.

Voltage tolerance: +10% -5%

Electric plug connection (DIN 46340) or suitable for 3 poles connectors.

Protection degree IP65 as per EN 60529 if the coil is duly fitted with its plug connector

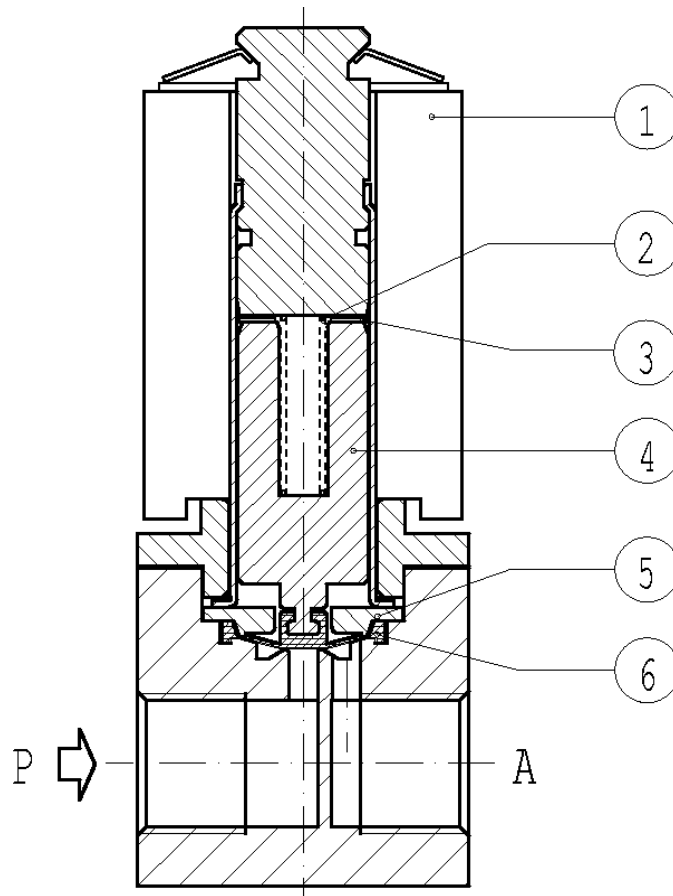
NON STANDARD

Port size ISO 228	Orifice size (mm)	Max pressure (bar)				Kv (m ³ /h)	Series and type		Power absorption			Seals	Weight (kg)
		Gases		Liquids			Valve	Coil	AC (VA)		DC (W)		
		AC	DC	AC	DC				Inrush	Holding			
G 1/8	2	-	-	-	0,2	0,06	D106T08	Z830A	-	-	6	PTFE	0,170

NOTES - Seal: PTFE = Polytetrafluorethylene
- Other voltages on request

SPARE PARTS

Series D106T08



NON STANDARD

Kit description

Kit P.N.

Consisting of :

Diaphragm kit

G3043601

Core return spring pos.2
Breaker disc pos.3
Core pos. 4
Spacing collar pos.5
Diaphragm pos.6

Coil Z830A

Coil pos. 1

NB - THE VALIDITY OF REPORTED DATA IS REFERRED TO THE DATE OF ISSUE. POSSIBLE UPDATING ARE AVAILABLE ON REQUEST