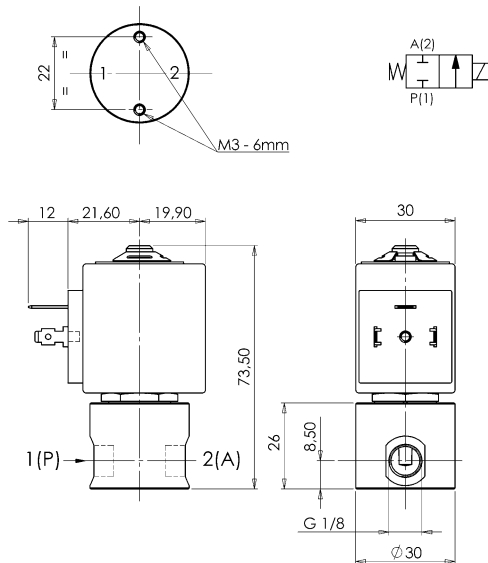




SOLENOID VALVE - DRY
2/2 - NC (Normally closed)
 Direct acting - Total isolation
G 1/8

D105



► GENERAL FEATURES

Total isolation micro solenoid valve: the actuator is totally isolated from the medium so that the wetted parts are just the body and the diaphragm. Possibility of disassembling for inspection.

The working pressure of the valve is function of differential pressure between inlet and outlet; see the drawing overleaf.

Suitable to shut off liquid and gaseous fluids (verify the compatibility of fluid with materials in contact).

Not suitable for use with dangerous fluids listed in Group 1, therefore they are free from CE marking in conformity with article 3 § 3 of the European Directive 97/23/EC (Pressure Equipment Directive).

► TECHNICAL FEATURES

Opening time	~20ms
Closing time	~20ms
Fluid temperature	-10°C +100°C
Max viscosity	5°E (~37 cStokes or mm ² /s)

► MATERIALS IN CONTACT WITH FLUID

Body	PVDF (Polyvinylfluoride)
Sealing	EPDM or VMQ or FPM

► COIL

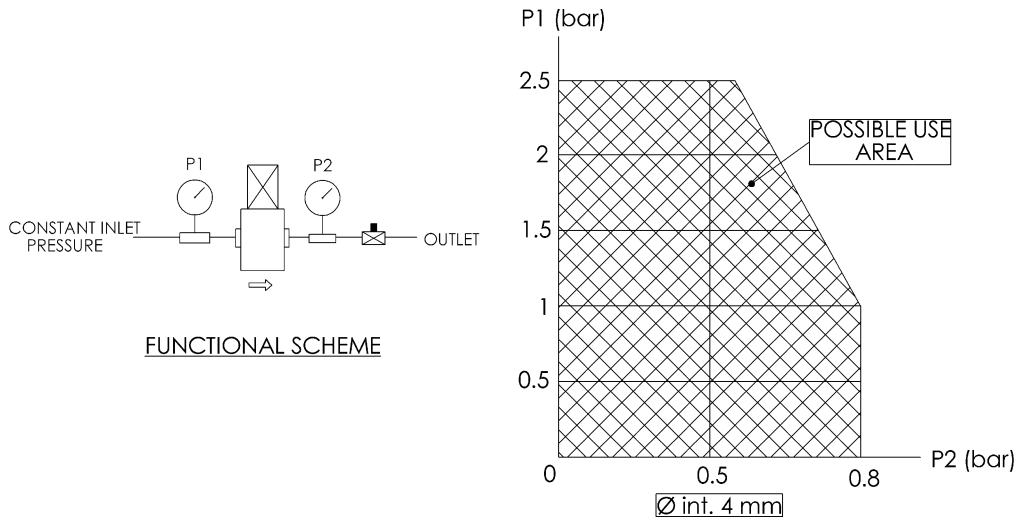
Continuous duty	ED 100%
Coil impregnation	Polyester resin
Encapsulation material	PBT (polybutylene-terephthalate) glass fibre reinforced
Coil insulation class	F (155 °C)
Ambient temperature	-10 C° +60 °C
Electric connenctions	DIN 46340 - 3 poles connector (DIN 43650)
Protection degree	IP 65 (EN 60529) with plug connector
Voltages	DC 12-24V (+10% -5%)
	AC 24V/50Hz-110V/50Hz (120V/60Hz)-230V/50Hz (+10% -15%).
	(Other voltages and frequencies on request).

Port size ISO 228	Orifice size (mm)	Differential pressure (bar)				Kv (m ³ /h)	Series and type		Power absorption			Sealings	Notes	Weight (kg)	
		Δp min	Δp max		Valve		Coil	AC (VA)		DC (W)					
			Gases	Liquids				Inrush	Holding						
			AC	DC	AC	DC									
G 1/8	4	0	2,5	2,5	2,5	2,5	0,32	D105D28	ZA30A	23	14	9	EPDM	-	0,210
								D105S28							
								D105V28							

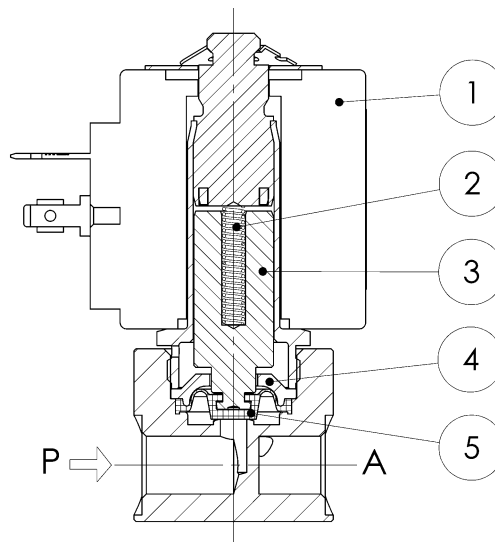
► NOTES

- Sealings : EPDM = Ethylene-propylene elastomer FPM = Fluoro-carbon elastomer VMQ = Silicone elastomer

D105



► SPARE PARTS



Kit description

Diaphragm kit

D105D28
D105S28
D105V28

Kit P.N.

G3067201
G3067202
G3067203

Consisting of:

Core return spring pos.2
Core pos.3
Spacing collar pos.4
Diaphragm pos.5

Coil

Coil pos. 1

► MOUNTING

- Solenoid valve can be mounted in any position; vertical with coil upwards preferred.